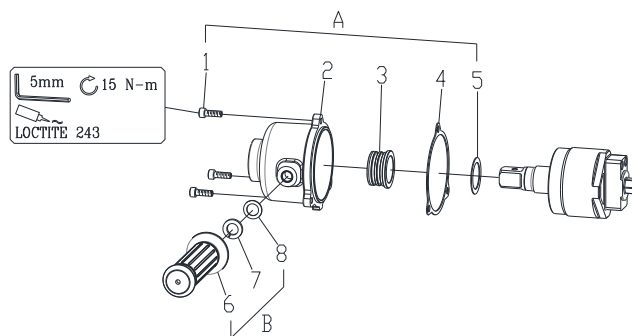


RRI-200 Exploding view

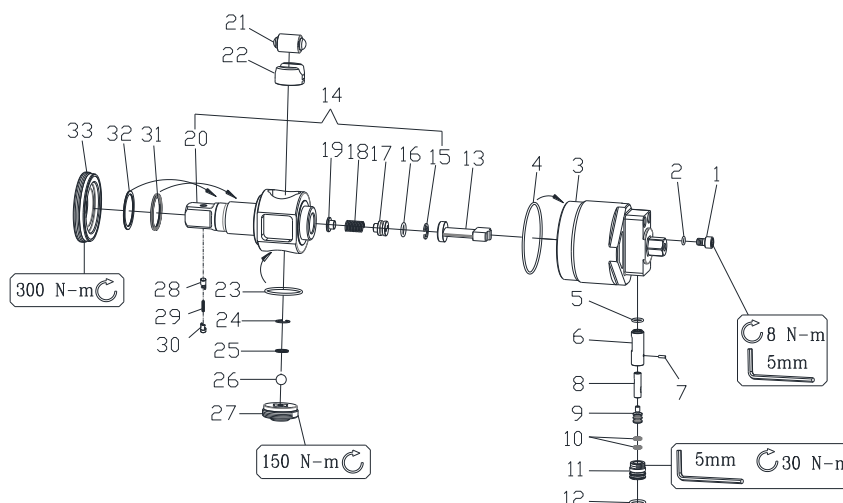
Pulse unit Casing _ I



Index No	Part No	Description	Q.ty	Remark
A	1	00-0140	Cap Screw	3 M6x18L
	2	I200-201	Pulse Unit Housing	1
	3	I200-202	Bushing	1
	4	I200-205	Gasket	1
	5	I200-424C	Washer	1
B	6	I180-206	Side Handle	1
	7	00-1811	Spring Washer	1 M12
	8	00-1514	Washer	1 Ø20x Ø13x1t

Pulse unit _ II

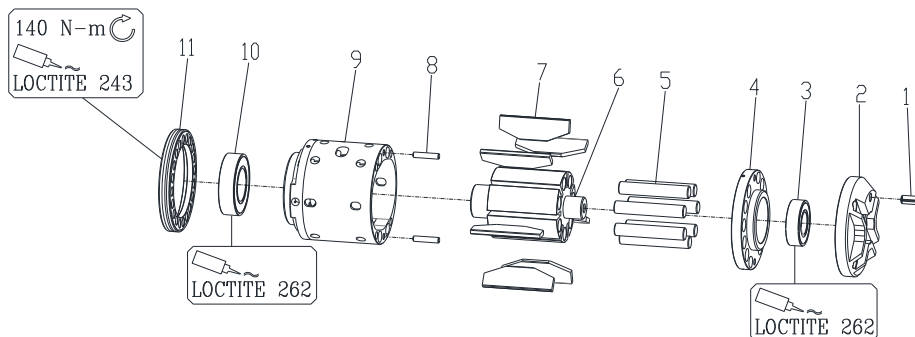
Ordering No. I200-400ASM-PR



Index No	Part No	Description	Q.ty	Remark
1	00-0147	Cap Screw	1	M6x8L
2	00-41179	O-Ring	1	Ø 4.5x Ø 1.5
3	I200-404	Pulse Cylinder	1	
4	00-41216	O-Ring	1	AS036 / Ø 60x Ø 1.78
5	00-41257	O-Ring	1	S8 / Ø 7.5x Ø 1.5
6	I200-495	Adjusting Bushing	1	
7	00-3430	Pin	1	Ø 2x8L
8	I200-412	Valve	1	
9	I200-411	Valve Screw	1	
10	00-2607	X-Ring	2	X4008 / Ø 4.47x Ø 1.78
11	I200-432	Adjusting Bushing Screw	1	
12	00-41108	O-Ring	1	AS013 / Ø 10.82x Ø 1.78
13	I200-479	Roll Shaft	1	
14(15-20)	I200-405	Anvil Unit , Compl	1	
15	00-3119	Snap Ring	1	R13
16	00-41259	O-Ring	1	P9 / Ø 8.8x Ø 1.9
17	I200-455	Valve	1	
18	IS200-484	Spring	1	
19	I200-414	Spring Set	1	
20	IS200-405@	Anvil	1	
21	I200-468	Roller	1	
22	I200-467	Piston	1	
23	00-41136	O-Ring	1	AS025 / Ø 29.87x Ø 1.78
24	00-3118	Snap Ring	1	R12
25	I200-469	Washer	1	
26	00-3832	Steel Ball	1	
27	I200-476	Locking Nut	1	

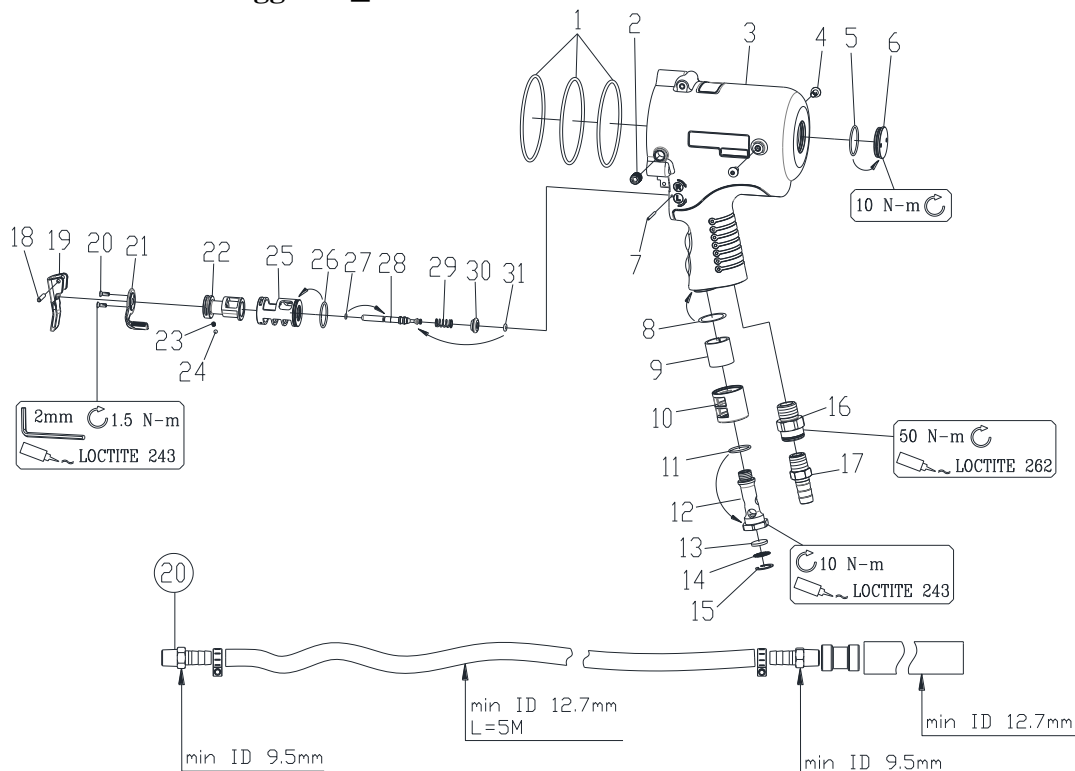
Index No	Part No	Description	Q.ty	Remark
28	I150-463	Lower Pin	1	
29	I150-464	Spring	1	
30	I150-462	Upper in	1	
31	00-2606	X-Ring	1	Ø 28.17 x Ø 3.53
32	I200-409	Back Up Ring	1	
33	I200-402	Nut	1	

Motor Unit _ III



Index No	Part No	Description	Q.ty	Remark
1	00-3370	Spring Pin	1	Ø 6 x16L
2	I200-310	Air Inlet Plate	1	
3	00-2385	Ball Bearing	1	6003 / Ø 17 x Ø 35 x10
4	I200-305	Rear Plate	1	
5	I200-322	Roll Plug	7	
6	I200-303	Rotor	1	
7	I200-304	Rotor Blade	7	
8	00-3330	Spring Pin	2	Ø 4 x20L
9	I200-302	Pulse Cylinder	1	
10	00-2386	Ball Bearing	1	6005 / Ø 25x Ø 47 x12
11	I200-306	Lock Nut	1	

Housing Unit and Valve and Trigger _ IV



Index No	Part No	Description	Q.ty	Remark
1	00-41218	O-Ring	3	AS151 / Ø75.87x Ø 2.62
2	00-0616	Set Screw	1	M10x8L
3	I200-101	Motor Housing	1	
4	00-1304	Round Head Bolt	2	M5x6L

Index No	Part No	Description	Q,ty	Remark
5	00-41128	O-Ring	1	Ø25x Ø 1.5
6	I200-104	Nut	1	
7	00-3461	Pin	1	Ø2x30L
8	00-41145	O-Ring	1	Ø 18x Ø 1.5
9	I200-601	Muffler	1	
10	I200-603	Exhaust Deflector	1	
11	00-41111	O-Ring	1	Ø 16x Ø 1.5
12	I200-610	Air Inlet Bushing	1	
13	I200-605	Muffler	1	
14	I200-606	Net	1	
15	00-3103	Snap Ring	1	R16
	I200-604A	Air Inlet		3/8"PF-19
16	I200-604B	Air Inlet	1	3/8"PT-19
	I200-604C	Air Inlet		3/8"NPT-18
17	277-033	Nipple	1	3/8"Px1/2
18	00-3308	Spring Pin	1	Ø3x18L
19	I150-504	Trigger	1	
20	00-0505	Screw	2	M3x6L
21	I150-503	Regulator Knob	1	
22	IS200-502	F/R Valve	1	
23	I100-506	Spring	1	
24	00-3813	Steel Ball	1	Ø 1/8"
25	I200-501	Valve Sleeve	1	
26	00-41146	O-Ring	1	Ø 21x Ø 1.5
27	00-4101	O-Ring	1	Ø 3x Ø 1
28	IS200-505	Valve Stem	1	
29	I150-507	Spring	1	
30	I150-508	Bushing	1	
31	00-41199	O-Ring	1	Ø 1.8x Ø 1.9

Repair Kit – Pulse unit Casing / Pulse unit / Motor Unit / Housing Unit and Valve and Trigger

Ordering No. I200RK-YO

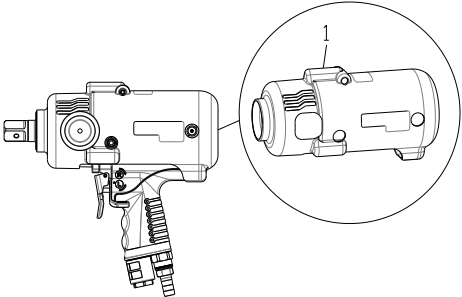
Index No	Part No	Description	Q,ty	Remark
1	I200-205	Gasket	1	Pulse Unit
2	00-41216	O-Ring	1	AS036 / Ø 60 x Ø 1.78 / Pulse Unit
3	00-2606	X-Ring	1	Ø 28.17 x Ø 3.53
4	I200-409	Back Up Ring	1	
5	00-41179	O-Ring	1	Ø 4.5x Ø 1.5
6	00-41259	O-Ring	1	P9 / Ø 8.8x Ø 1.9

Service Kit – Pulse unit Casing / Pulse unit / Motor Unit / Housing Unit and Valve and Trigger

Ordering No. I200SK

Index No	Part No	Description	Q,ty	Remark
1	00-41136	O-Ring	1	AS25 / Ø 29.87 x Ø 1.78 / Pulse Unit
2	00-41257	O-Ring	1	S8 / Ø 7.5x Ø 1.5 / Pulse Unit
3	00-2607	X-Ring	2	X4008 / Ø 4.47x Ø 1.78 / Pulse Unit
4	00-41108	O-Ring	1	AS013 / Ø 10.82x Ø 1.78 / Pulse Unit
5	I200-310	Air Inlet Plate	1	Motor Unit
6	I200-304	Rotor Blade	7	Motor Unit
7	00-2386	Ball Bearing	1	6005 / Ø 25x Ø 47 x12 / Motor Unit
8	00-41218	O-Ring	3	AS151 / Ø75.87x Ø 2.62 / Housing Unit and Valve and Trigger
9	00-41145	O-Ring	1	Ø 18x Ø 1.5 / Housing Unit and Valve and Trigger
10	00-41128	O-Ring	1	Ø25x Ø 1.5 / Housing Unit and Valve and Trigger
11	I200-601	Muffler	1	Housing Unit and Valve and Trigger
12	00-41111	O-Ring	1	Ø 16x Ø 1.5 / Housing Unit and Valve and Trigger
13	I200-605	Muffler	1	Housing Unit and Valve and Trigger
14	00-41146	O-Ring	1	Ø 21x Ø 1.5 / Housing Unit and Valve and Trigger
15	00-4101	O-Ring	1	Ø 3x Ø 1 / Housing Unit and Valve and Trigger
16	00-41199	O-Ring	1	Ø 1.8x Ø 1.9 / Housing Unit and Valve and Trigger

Service Tools



Index No	Part No	Description	Q,ty	Remark
1	I200-109	Tool Cover	1	
2	01-0507B	Impulse Oil	1000 ml	