

## Parts List

No.	Name of Parts	Per Set	Parts No.	No.	Name of Parts	Per Set	Parts No.
1	Motor Case Assy.	1set	0477 0011 0099	6	Hammer Case Assy.	1set	0455 0401 0099
*	(a) Motor Case (A)	1	0477 0011 0001		(a) Hammer Case	1	0455 0401 0000
*	(b) Motor Case (B)	1	0477 0011 0002		(b) Main Shaft Bushing	1	0259 0612 0000
	(c) Lamp Holder	1	0477 0959 0000	7	Hex. Socket Head Bolt (M4×14)	4	8070 3008 0000
	(d) Motor Case (C)	1	0477 0011 0003	8	Spring Washer (M4)	4	9200 3012 0000
	(e) Tapping Screw (M3×16)	6	9540 1018 0000	Standard Accessories			
	(f) Motor Assy.	1set	0446 0330 0399		TF Pin (2×90)	1	8051 6001 0000
	(g) FanProtector	1	0456 0363 0000	9	Protector	1	0477 0029 0000
	(h) Fan D03X-05TM11 (CX)	1	0446 1556 0000	10	Battery Pack (BPL-1820)	1	0446 1521 0000
	(i) Rubber Packing	1	0446 0359 0000	Optional Accessories			
	(j) Cross Recessed Screw (M3×16)	2	9410 2056 0000	11	Protector (for BPL-1820)	1	0446 0029 0001
	(k) Power Circuit Board Assy.	1set	0446 0195 0399	10	Battery Pack (BPL-1820)	1	0446 1521 0000
	(l) Head Screw	3	9410 4002 0000		Battery Charger (BC0075G)	1	0446 1606 0000
	(m)Harness (A)	1	0460 0208 0001		Power Cord 1.5M (Domestic)	1	8521 0008 0000
	(n) Controll Circuit Board Assy.	1set	0477 1608 0099		Power Cord 2.0M(R. Pin for Europe)	1	8521 0009 0000
	(o) O-Ring (S6)	2	9010 4026 0000		Power Cord 1.5M<VM0718-VM0719> (for China)	1	8521 0029 0000
	(p) Harness (B)	1	0456 0208 0002		Power Cord 1.5M<VM0228A-VM0296> (for US)	1	8521 0032 0000
	(q) Throttle Knob Assy.	1set	0446 0153 0199		Power Cord 1.5M<VM0773-VM0776> (for India)	1	8521 0033 0000
	(r) Spring (7.5×26)	1	8020 1449 0000				
	(s) Spring (3.5×23)	1	8020 1450 0000				
	(t) Reverse Lever Assy.	1set	0446 0007 0099				
	(u) Reverse Lever Spring	1	0446 1615 0000				
	(v) Tapping Screw (M2.6×5)	1	9540 1019 0000				
	(w) Binding Band (CV-70N)	2	9790 1008 0000				
2	Liner Case Assy.	1set	0456 0422 0099				
	(a) Liner Case	1	0446 0422 0000				
	(b) O-Ring (1.78×33.05×36.61)	1	9011 2002 0000				
	(c) Liner Cap	1	0368 0423 0000				
	(d) Liner Upper Plate	1	0181 0424 0000				
	(e) O-Ring (1.78×29.87×33.43)	1	9011 2003 0000				
	Liner Assy.	1set	0181 0425 0099				
	(f) Liner	1	*				
	(g) Pin AA (3×4.5)	4	8052 3004 0000				
	(h) Relief Valve	1	0446 0245 0000				
	(i) Pin (1.5×4)	1	8051 1314 0000				
	(j) Main Shaft	1	0188 0614 0201				
	(k) Blade	2	0181 0719 0100				
	(l) Spring (3.4×28)	2	8020 1346 0000				
	Liner Lower Plate Assy.	1	0181 0426 0199				
	(m)Liner Lower Plate	1	0181 0426 0100				
	(n) Pin AA (3×4.5)	1	8052 3004 0000				
	(o) Adjust Bolt	1	0181 0522 0000				
	(p) O-Ring (N2)	1	9010 4001 0000				
	(q) Back-up Ring (N2)	1	9090 2001 0000				
	(r) Nylon Bushing	1	0181 0431 0000				
	(s) Oil Plug	2	0181 0010 0000				
	(t) O-Ring (N2)	2	9010 4001 0000				
	(u) O-Ring (P12)	1	9011 7001 0000				
	(v) Back-up Ring (12×16×0.8)	1	9090 1010 0000				
3 *	Washer (12.5×18×0.3)	1	8041 5034 0000				
4 *	Washer (12.5×18×0.5)	1	8041 5011 0000				
5 *	Washer (12.5×18×1)	1	8041 5021 0000				

\* Please replace the Motor Case(A) and the Motor Case(B)as a unit. Also please describe our model name when you order.

The part "\*" can not be supplied individually. So please order it as a unit of assembly shown by arrow mark(↑).

★ Marked parts may not be used, in some case.

47700-2010

# YOKOTA

## Battery Impulse Wrench

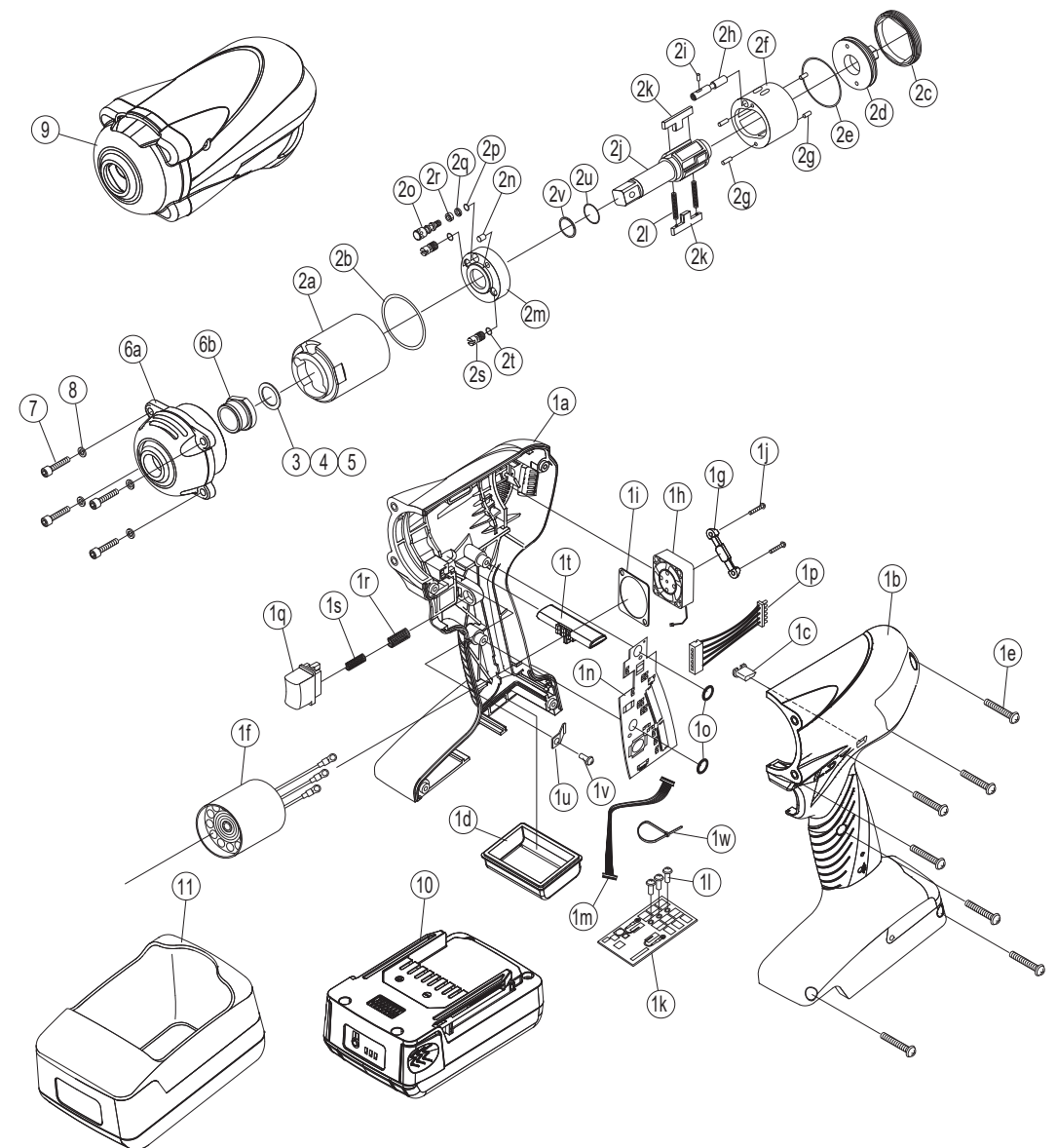
MODEL (YES.No.)

TOOL No.

YZ-NP900 (00)

0477 0000 0000

## Exploded View



# YOKOTA INDUSTRIAL CO.,LTD.