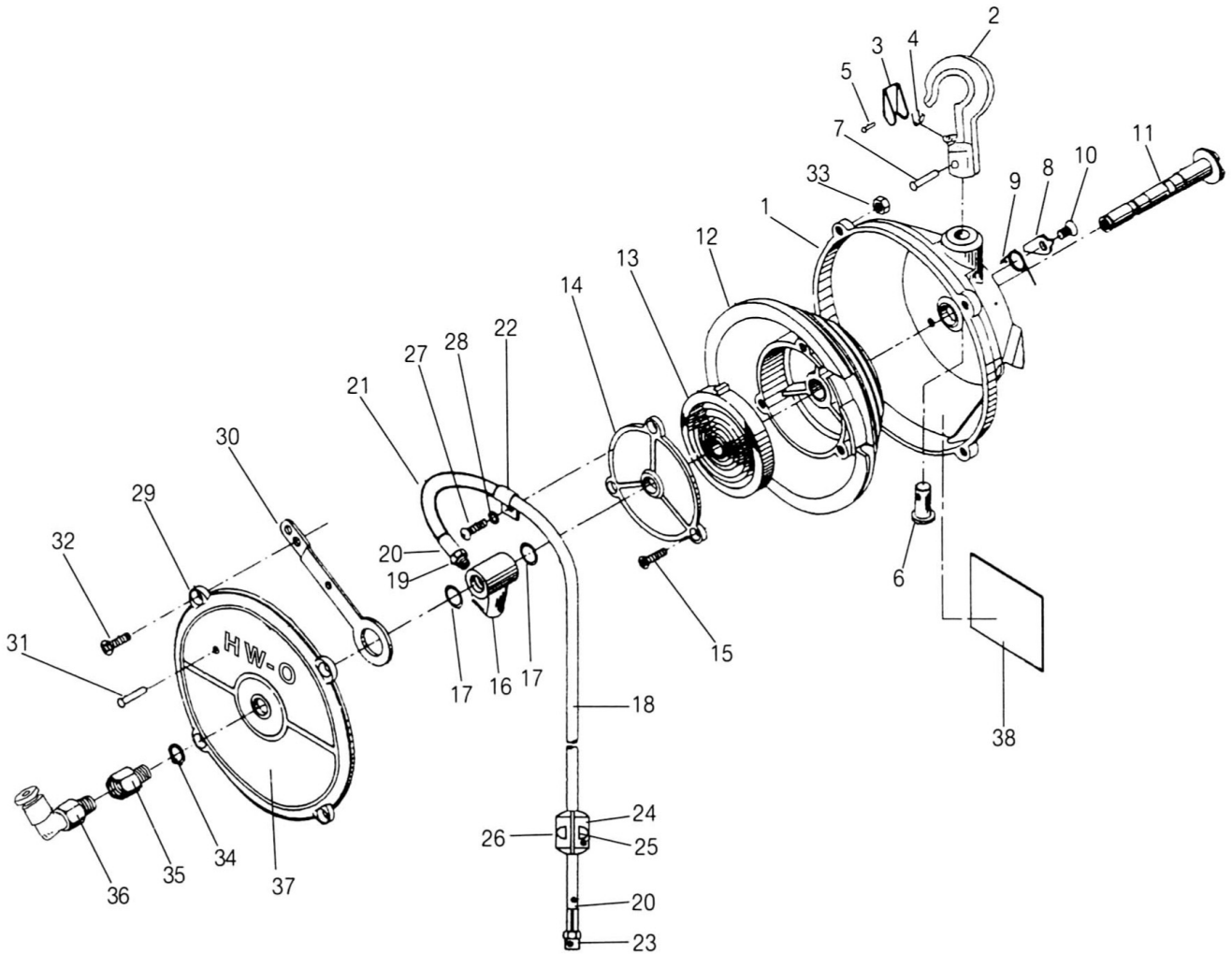


8. PARTS LIST



(NOTE) When placing an order, clearly specify the product model, part number and description.
Parts without a part number cannot be supplied individually.
Please purchase a set or complete unit.

INDEX No.	PARTS NAME	PARTS NO.	QUANTITY			REMARKS
			HW - 0	HW - 3	HW - 5	
	CASE ASSEMBLY	H962001A	1	1	1	
1	— CASE	H962002	1	1	1	
	— HANGER ASS'Y	H962003A	1	1	1	
2	— — HANGER	—	1	1	1	
3	— — LATCH	—	1	1	1	
4	— — SPRING	—	1	1	1	
5	— — RIVET	—	1	1	1	
6	— — SHAFT	—	1	1	1	
7	— — RIVET	—	1	1	1	
8	— RATCHET	H962004	1	1	1	
9	— SPRING	H962005	1	1	1	
10	— SCREW	SC612	1	1	1	
11	SPINDLE	H962006	1	1	1	
12	DRUM	H962007	1	1	1	
13	SPRING	H962008	1			
	SPRING	H962308		1		
	SPRING	H962508			1	
14	DRUM COVER	3010	1	1	1	
15	SCREW	SC514	2	2	2	
16	ROTARY JOINT	H962009	1	1	1	
17	O - RING	P14	2	2	2	
	HOSE ASSEMBLY	H962010A	1	1	1	
18	— HOSE	—	1	1	1	
19	— NIPPLE	—	1	1	1	
20	— LOCK TUBE	—	2	2	2	
21	— TUBE	—	1	1	1	
22	— SADDLE	—	1	1	1	
23	— NIPPLE	—	1	1	1	
	STOPPER ASS'Y	H962011A	1	1	1	
24	— STOPPER	H961010	1	1	1	
25	— BOLT	SH520	1	1	1	
26	— NUT	M5	1	1	1	
27	SCREW	SC516	1	1	1	
28	SPRING WASHER	WS52	1	1	1	
	COVER ASSEMBLY	H962012A	1	1	1	
29	— COVER	H962013	1	1	1	
30	— PLATE	H962014	1	1	1	
31	— RIVET	RR311	1	1	1	
32	SCREW	SC516	4	4	4	
33	NUT	M5	4	4	4	
34	RETAINING RING	13	1	1	1	
35	NIPPLE	H962015	1	1	1	
36	ONE TOUCH NIPPLE	H962016	1	1	1	
37	NAME PLATE	H962017	1			
	NAME PLATE	H962317		1		
	NAME PLATE	H962517			1	
38	LABEL	H962018	1	1	1	