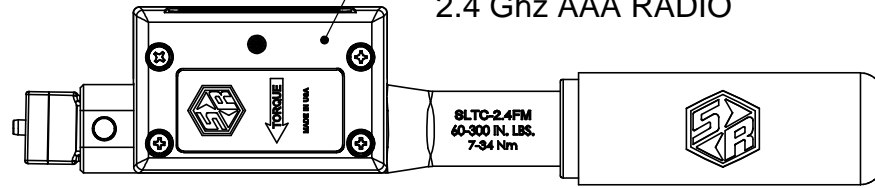


10615 (1)
REPLACEMENT KIT
2.4 Ghz AAA RADIO



LEGEND: () = QUANTITY/TOOL
* = QUANTITY/MULTI-PAK

857013 - CARTON
857330 - INSTRUCTION

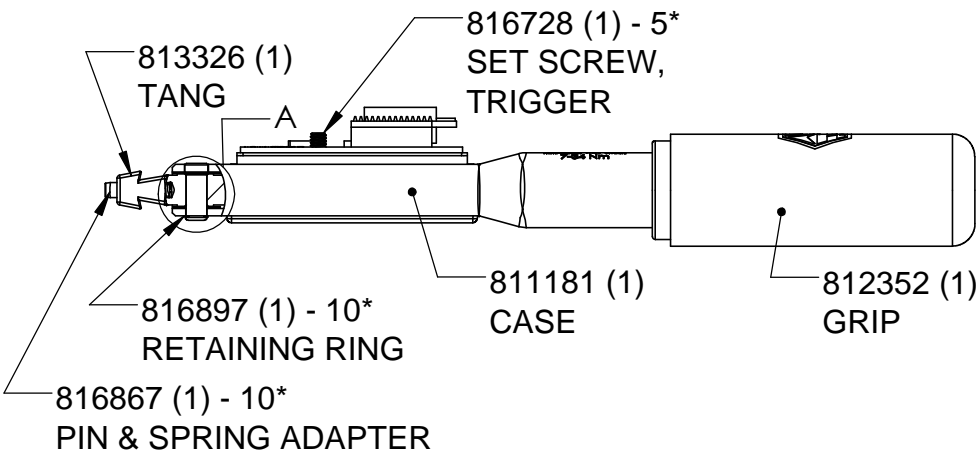
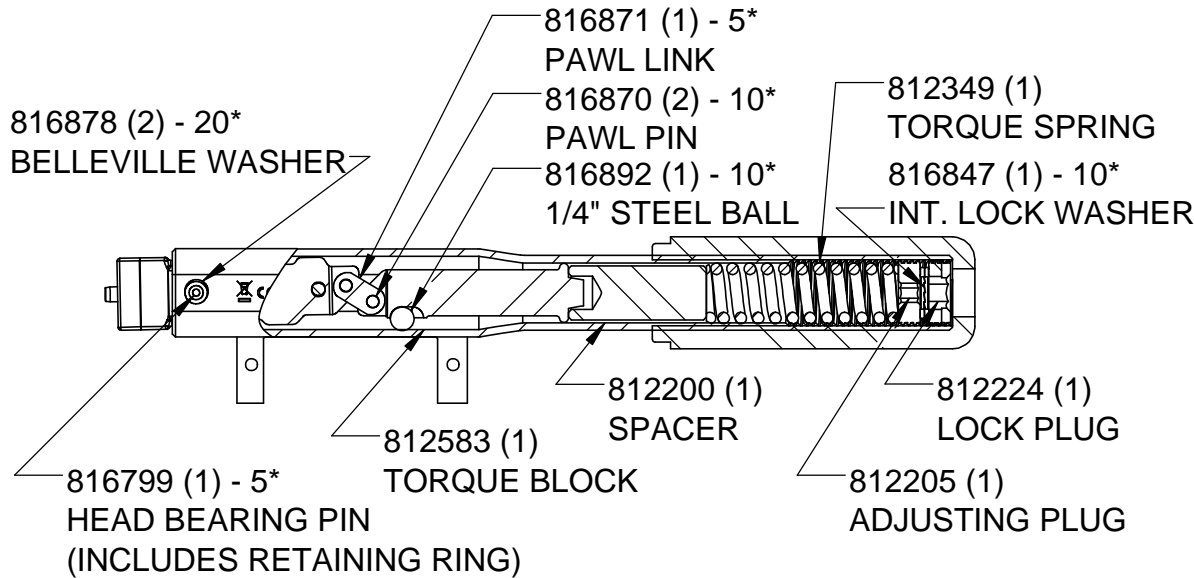
10615 (1)
RADIO KIT 2.4GHz; AAA FOR SLTC-FM WRENCHES
(INCLUDES AAA BATTERY HOUSING UPPER &
LOWER COVERS, BATTERY HOUSING LID, RADIO
2.4GHz AAA, RUBBER WASHERS (4), SCREW PAN
HEAD (2), LITEPIPE & SPRING CLIP, PCB
INSULATION, SLTC LABEL, & AAA BATTERY)

NOTES:

1. TIGHTEN TO 1.5-2.5 IN. LBS. AND APPLY A DROP OF
ADHESIVE (PERMA-LOK MM115 OR LOCTITE 262) TO SET
SCREW (890105) PRIOR TO ASSEMBLY INTO TANG (813326).

WARNING: USE ONLY 1.5 VDC ALKALINE OR 1.2 VDC NiMH
AAA RECHARGEABLE BATTERIES. OTHER BATTERIES CAN
CAUSE DAMAGE TO RADIO AND IMPACT RADIO SIGNAL.

816799 - THIS PIN IS FORMED OVER **CUSTOMER MUST**
GRIND OFF FORMED END & INSTALL THIS PIN FORMING THE
HEAD OVER THE RETAINING RING AS SHOWN.



DEFORM PRIOR
TO CALIBRATION
DETAIL A
SCALE 1 : 1

