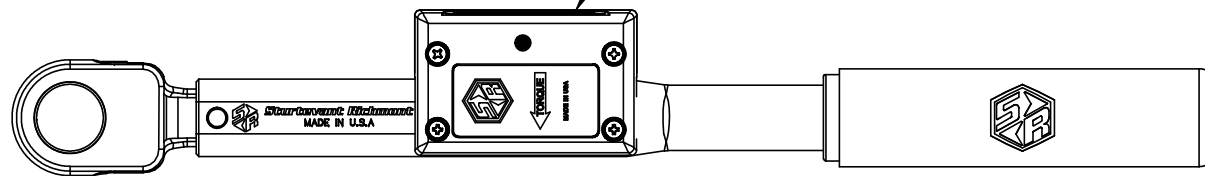


10615(1)
REPLACEMENT KIT
2.4 Ghz AAA RADIO



LEGEND: () = QUANTITY/TOOL
* = QUANTITY/MULTI-PAK

857005 - CARTON
857330 - INSTRUCTIONS

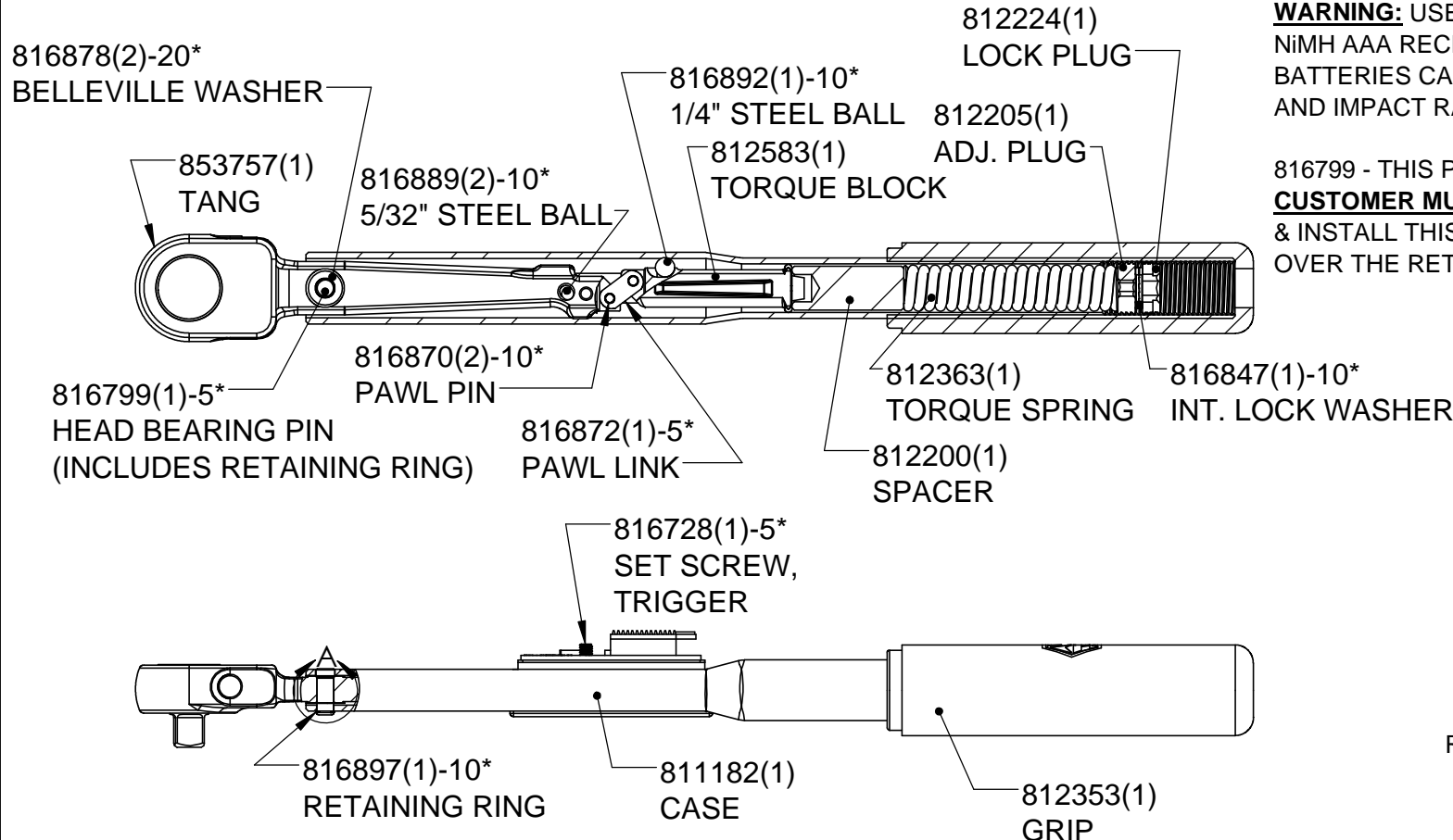
10615(1)
RADIO KIT 2.4GHz; AAA FOR SLTC-FM WRENCHES
(INCLUDES AAA BATTERY HOUSING UPPER &
LOWER COVERS, BATTERY HOUSING LID, RADIO
2.4GHz AAA, RUBBER WASHERS (4), SCREW PAN
HEAD (2), LITEPIPE & SPRING CLIP, PCB
INSULATION, SLTC LABEL, & AAA BATTERY)

NOTES:

- TIGHTEN TO 1.5-2.5 IN.LBS. AND APPLY A DROP OF ADHESIVE (PERMA-LOK MM115 OR LOCTITE 262) TO SET SCREW (890105) PRIOR TO ASSEMBLY INTO TANG (853757).

WARNING: USE ONLY 1.5 VDC ALKALINE OR 1.2 VDC NiMH AAA RECHARGEABLE BATTERIES. OTHER BATTERIES CAN CAUSE DAMAGE TO THE BOARD AND IMPACT RADIO SIGNAL.

816799 - THIS PIN IS FORMED OVER **CUSTOMER MUST** GRIND OFF FORMED END & INSTALL THIS PIN FORMING THE HEAD OVER THE RETAINING RING AS SHOWN.



DETAIL A
SCALE 1 : 1
DEFORM BEFORE
CALIBRATION

