

Parts for Motor Case

No.	Name of Parts	Per Set	Parts No.
M	Motor Case Assy.	1set	0175 0011 01 88
M1	Motor Case Assy.(1)	1set	0175 0011 01 88
A1	Motor Case Assy.(2)	1set	0175 0011 01 88
	(a) Motor Case	1	0175 0072 00 00
	(b) Exhaust Bushing	1set	0334 0113 01 88
	(c) Hose Joint	1	0334 0113 01 00
	(d) Strainer	1	0268 0111 00 00
	(e) Washer (7.5x11x2)	1	8042 2008 00 00
	(f) Exhaust Cover	1	0334 0016 00 00
	(g) Silencer Sheet	1	0334 0032 00 00
	(h) O - Ring (N12)	1	8010 4006 00 00
	(i) O - Ring (N16)	1	8010 4008 00 00
	(j) O - Ring (N22)	1	8010 4011 00 00
	(k) Spring Pin (6x10)	1	8250 1082 00 00
	3 Stage Throttle Assy.	1set	0334 0188 00 88
	(l) Throttle Bushing	1	0334 0104 00 00
	(m) O - Ring (N18)	1	8010 4023 00 00
	Throttle Rod Bushing Assy.	1set	0334 0106 00 88
	(n) Throttle Rod Bushing	1	8010 1048 00 00
	(o) O - Ring (P8)	1	0334 0108 00 88
	Throttle Rod Assy.	1	8010 4058 00 00
	(p) Throttle Rod	1	8040 5008 00 00
	(q) O - Ring (N4)	1	8010 4058 00 00
	(r) Snap Ring (ETW-2.8)	1	0334 0006 00 00
	(s) Reverse Valve	1	8010 4008 00 00
	(t) O - Rings (N15)	1	8020 1248 00 00
	(u) Spring (3x4)	1	9150 3008 00 00
	(v) Ball (1/8)	1	0334 0007 00 00
	(w) Reverse Lever	1	8250 1016 00 00
	(x) Spring Pin (2x12)	1	0158 0153 00 00
	(y) Throttle Knob	1	8055 1082 00 00
	(z) Spring Pin (1.5x14)	1	8010 4017 00 00
	(aa) Pin (2.5x22)	2	8010 4017 00 00
	(ab) O - Ring (N40)	2	8010 4017 00 00
A2	Motor Assy.	1set	0175 0306 00 88
	Upper Plate Assy.	1set	0175 0303 00 88
	(a) Upper Plate	1	0175 0303 00 00
	(b) Ball Bearing (608MC2)	1	8102 3008 00 00
	(c) Pin (2x5)	1	8051 1037 00 00
	Cylinder Assy.	1set	0175 0304 00 88
	(d) Cylinder	1	8055 1063 00 00
	(e) Pin (2.5x6)	2	0175 0306 00 00
	(f) Rotor	8	0158 0308 01 00
	(g) Vane	1set	0175 0307 00 88
	Lower Plate Assy.	1set	0175 0307 00 88
	(h) Lower Plate	1	0175 0307 00 00
	(i) Ball Bearing (6902CM)	1	8102 1004 00 00
A3	S - Packing (A)	1	0175 0003 00 01
A4	Motor Case Cover Assy.	1set	0175 0001 00 88
	(a) Motor Case Cover	1	0175 0001 00 00
	(b) Spring Pin (6x10)	1	8250 1082 00 00

The part "*" can not be supplied individually. So please order as a unit of assembly shown by arrow mark (↑).

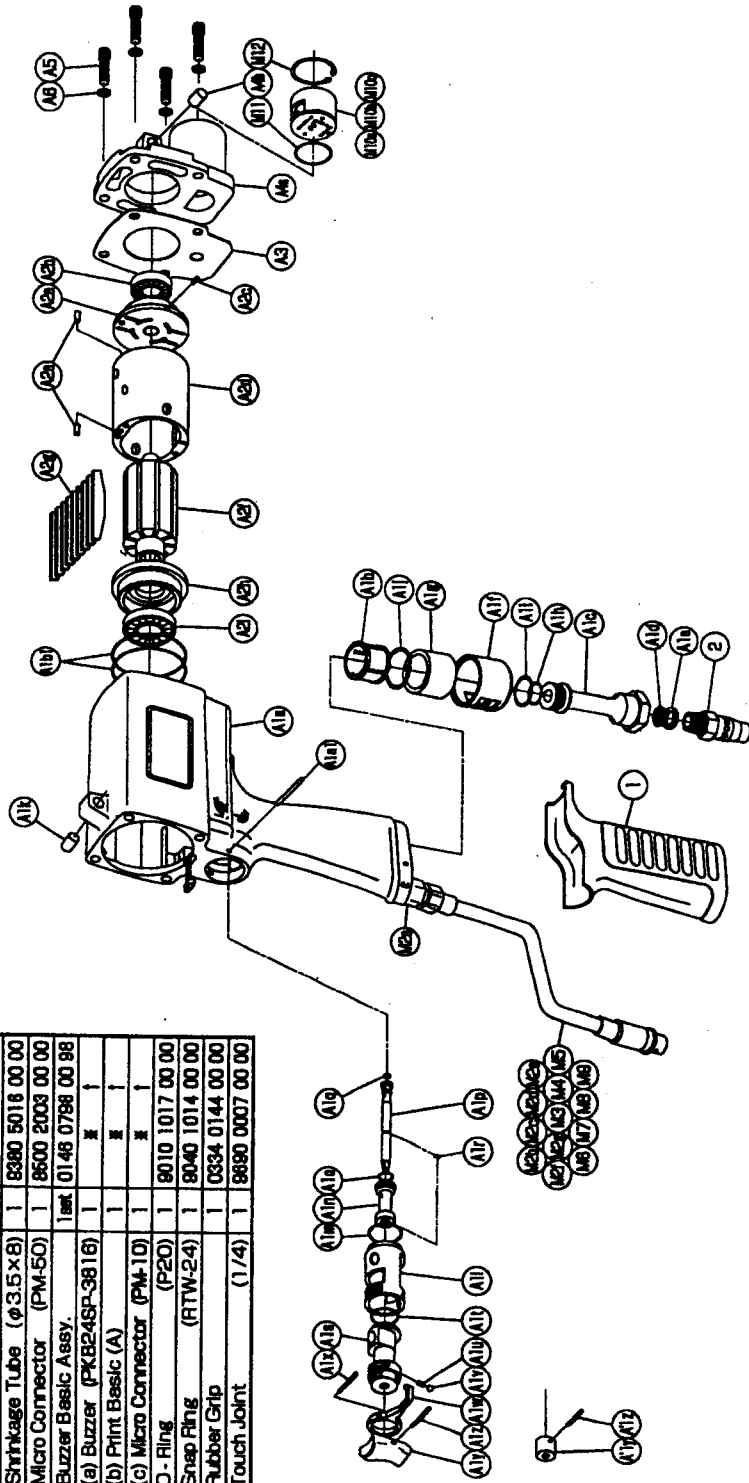
yokota

FA SYSTEM & AIR TOOLS

With built - in torque sensor 2 BLADE-SYSTEM WRENCH

MODEL (YES.No.)	TOOL No.
YED-70 (01)	0175 0000 0100
YED-70-D (01)	0175 0000 0106

Exploded View of Motor Case



YOKOTA EUROPA BV

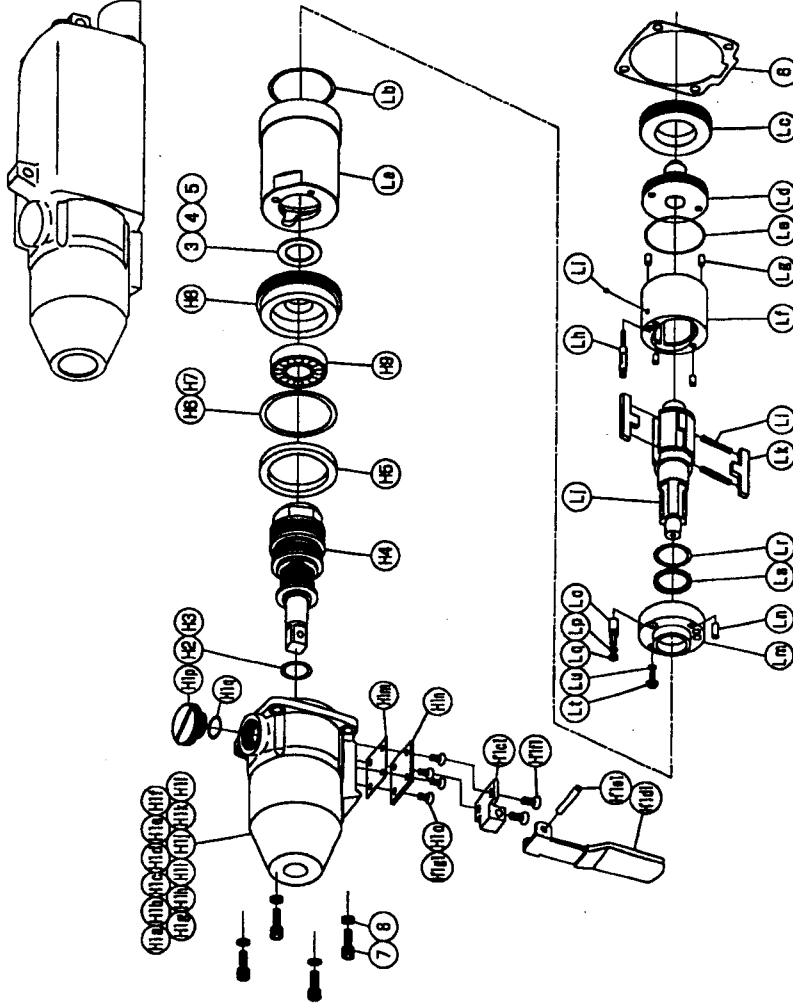
P.O. BOX 392 NL-11000 AJ AMSTERDAM PHONE 020-5318906 FAX 020-5318908
 e-mail: info@impulse-tools.com http://www.impulse-tools.com
 Hydraulic Impulse Wrenches, Impact Wrenches, Drills, Strainers, Screw Drivers, Sealers, Pumps



With built-in torque sensor 2 BLADE SYSTEM WRENCH

MODEL (YES.No.)	TOOL No.
YED-70 (01)	0175 0000 0100
YED-70-D (01)	0175 0000 0106

Exploded View of Liner Case and Hammer Case



Parts for Liner Case

No.	Name of Parts	Per Set	Parts No.
L	Liner Case Assy.	1set	0175 0422 01 98
	(a) Liner Case	1	0175 0422 00 00
	(b) O-Ring (N35)	1	8010 4048 00 00
	(c) Liner Cap	1	0175 0423 00 00
	(d) Liner Upper Plate	1	0175 0424 00 00
	(e) O-Ring (N32)	1	8010 4014 00 00
	Liner Assy.	1set	0175 0425 01 98
	(f) Liner	1	*
	(g) AA Pin (3x5.41~44HRC)	4	8052 1031 00 00
	(h) Relief Valve	1	0175 0245 00 00
	(i) Pin (2x1.8)	1	8061 1308 00 00
	(j) Liner Shaft	1	0175 0798 00 00
	(k) Blade	2	0175 0719 00 00
	(l) Spring (3.6x28.5)	2	8020 1338 00 00
	Liner Lower Plate Assy.	1set	0175 0426 00 88
	(m) Liner Lower Plate	1	*
	(n) Spring Pin (3x6)	1	8250 2001 00 00
	Adjust Rod Assy.	1set	0175 0427 00 88
	(o) Adjust Rod	1	*
	(p) O-Ring (N2)	1	8010 4001 00 00
	(q) Back-up Ring (N2)	1	8080 2001 00 00
	(r) O-Ring (RLEPT6)	1	8011 8001 00 00
	(s) Back-up Ring (18x18.8x1.9)	1	8080 1018 00 00
	(t) Oil Plug (3x6)	1	0081 0010 01 00
	(u) O-Ring (N3)	1	8010 4028 00 00
* 3	Washer (14.6x23x1)	1	8041 5040 00 00
* 4	Washer (14.6x23x0.3)	1	8041 5042 00 00
* 5	Washer (14.6x23x0.2)	1	8041 5043 00 00

The part "*" can not be supplied individually.

So please order it as a unit of assembly shown by

arrow mark (1).

*marked parts; use one of them.

*marked parts may be not used, in some case.

Parts for Hammer Case

No.	Name of Parts	Per Set	Parts No.
H	Hammer Case Assy.	1set	0175 0401 00 99
H1	Hammer Case (1) Assy.	1set	0175 0401 00 89
	(a) Hammer Case	1set	*
	(b) Core (A) Assy.	1	*
	(c) Core (B)	1	*
	(d) Spacer (A)	1	*
	(e) Core (C)	1	*
	(f) Core (D) Assy.	1set	*
	(g) Ball Bearing (6901ZZ)	1	9100 5028 00 00
	(h) Hexagon Socket Set Screw (M4x8)	1	9480 1008 00 00
	(i) Shrinkage Tube (φ2x30)	2	9380 5030 00 00
	(j) Shrinkage Tube (φ1.5x9)	4	9380 5010 00 00
	(k) Micro Connector (OX-202)	4	8500 4001 00 00
	(l) Isolation Sheet	1	0176 1626 00 00
	(m) S - Packing (C)	1	0175 0003 00 03
	(n) Cover Plate	1	0175 0014 00 00
	(o) Hex. Flat Bolt (M3x6)	4	8071 4007 00 00
	(p) Regulator Cap	1	0143 0204 00 00
* H2	O - Ring (N12)	1	8010 4006 00 00
* H3	ST-Packing (12.5x18x0.1)	1	8011 1084 00 00
H4	ST-Packing (12.5x18x0.2)	1	8011 1011 00 00
H5	Main Shaft Assy.	1set	0175 0814 00 88
H6	Spacer (C)	1	0148 0119 00 03
* H7	C-Packing (35x40.5x0.1)	1	8010 1291 00 00
* H8	C-Packing (35x40.5x0.2)	1	8010 1292 00 00
H9	Bearing Case	1	0127 0860 00 00
H9	Ball Bearing (6903ZZ)	1	9100 5026 00 00
6	S-Packing (B)	1	0175 0003 00 02
7	Hexagon Socket Head Cap Screw (M3x18)	1	8070 3052 00 00
8	Spring Washer (M5)	1	9200 3006 00 00

Special Parts for D-version

M"	Motor Case Assy.	1set	0175 0011 01 97
M"	Motor Case (1) Assy.	1set	0175 0011 01 87
A'1	Motor Case (2) Assy.	1set	0175 0011 01 86
	3 Stage Throttle Assy.	1set	0175 0188 00 89
	(y) Throttle Knob	1	0175 0163 00 00
	(z) Spring Pin (1.5x12)	1	9250 1004 00 00
H'	Hammer Case Assy.	1set	0175 0401 00 98
H'1	Hammer Case (1) Assy.	1set	0175 0401 00 88
	(c1) Bracket	1	0176 0023 00 00
	(d1) Throttle Lever	1	0158 0110 00 00
	(e1) Spring Pin (3x18)	1	9250 2016 00 00
	(f1) Hex. Flat Bolt (M3x8)	2	8071 4003 00 00
	(g1) Hex. Flat Bolt (M3x6)	2	8071 4007 00 00
	Standard Accessories		
	Spanner (H3,H7)	1	8081 7001 00 00
	Protector	1	0175 0029 00 00



YOKOTA EUROPA BV

P.O. BOX 392-NL-1000 AJ AMSTERDAM; PHONE 020-5318800; FAX 020-5318808
 e-mail: info@impulsatools.com; http://www.impulsatools.com
 Hydraulic Drills, Wrenches, Impact Wrenches, Drills, Drivers, Screw Drivers, Spanners, Protectors