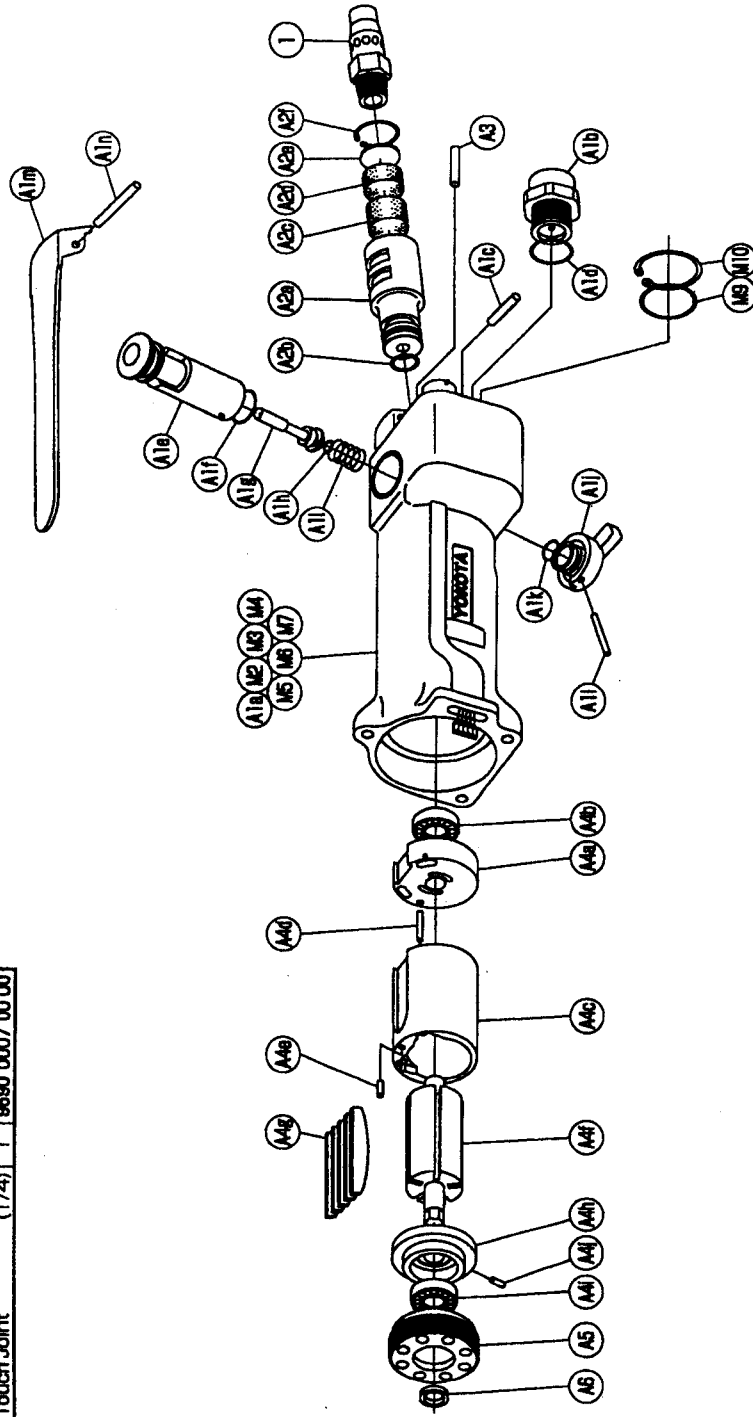


With built-in torque sensor 2 BLADE-SYSTEM WRENCH

MODEL (YES.No.)	TOOL No.
YEX-100SA (01)	0267 0000 0101

Exploded View of Motor Case



Parts for Motor Case

No.	Name of Parts	Per Set	Parts No.
M	Motor Case Assy.	1set	0267 0011 01 88
M1	Motor Case Assy.(1)	1set	0267 0011 01 89
A1	Motor Case Assy.(2)	1set	0267 0011 01 88
	(a) Motor Case	1	※
	(b) Hose Joint	1	0267 0113 00 00
	(c) Spring Pin (2x5)	1	9250 1010 00 00
	(d) O - Ring (N15)	2	9010 4008 00 00
	Reverse Valve Assy.	1set	0087 0006 00 88
	(e) Reverse Valve	1	※
	(f) O - Ring (N12.5)	1	9010 4006 00 00
	Throttle Rod Assy.	1set	0267 0106 00 88
	(g) Throttle Rod	1	※
	(h) O - Ring (No.3)	1	9010 3021 00 00
	(i) Spring (8x16)	1	8020 1068 00 00
	Reverse Lever Assy.	1set	0084 0007 00 88
	(j) Reverse Lever	1	※
	(k) O - Ring (P8)	1	9010 1006 00 00
	(l) Spring Pin (2x18)	1	9250 1020 00 00
	(m) Throttle Lever	1	0631 0110 00 00
	(n) Spring Pin (3x25)	1	9250 1056 00 00
A2	Silencer Assy.	1set	0267 0063 01 88
	(e) Silencer Body	1	0267 0063 01 00
	(b) O - Ring (N10)	1	9010 4004 00 00
	(c) Silencer Sheet (B)	1	0036 0032 00 02
	(d) Silencer Sheet (C)	1	0081 0032 00 03
	(e) Silencer Cap	1	2308 0084 00 00
	(f) Snap Ring (RTW-14)	1	9040 3004 00 00
A3	Spring Pin (3x16)	1	9250 1050 00 00
A4	Motor Assy.	1set	0267 0305 01 88
	Upper Plate Assy.	1set	0267 0303 01 88
	(a) Upper Plate	1	0267 0303 00 00
	(b) Ball Bearing (697)	1	9100 1060 00 00
	Cylinder Assy.	1set	0267 0304 00 88
	(c) Cylinder	1	※
	(d) Pin (2x12)	1	8051 1047 00 00
	(e) Pin (2x6)	1	8051 1036 00 00
	(f) Rotor	1	0254 0305 00 00
	(g) Vane	5	0254 0306 00 00
	Lower Plate Assy.	1set	0267 0307 01 88
	(h) Lower Plate	1	0267 0307 01 00
	(i) Ball Bearing (697)	1	9100 1060 00 00
	(j) Pin (2x5)	1	8051 1037 00 00
A5	Lower Plate Spacer	1	0267 0311 00 00
A6	Washer (10x7.2x2)	1	8040 1131 00 00

he part "*" can not be supplied individually.
o please order it as a unit of assembly shown by
rrow mark (†)



YOKOTA EUROPA BV

P.O. BOX 382 NL-1700 AJ AMSTERDAM PHONE 020-6318800 FAX 020-6318808
e-mail info@impulsetools.com http://www.impulsetools.com
Impulsetools, Impulsetools, Impulsetools, Impulsetools, Impulsetools, Impulsetools, Impulsetools, Impulsetools, Impulsetools, Impulsetools

With built-in torque sensor
2 BLADE-SYSTEM WRENCH
 MODEL (YES.No.) TOOL No.
 YEX-100SA (01) 0267 0000 0101

Parts for Liner Case

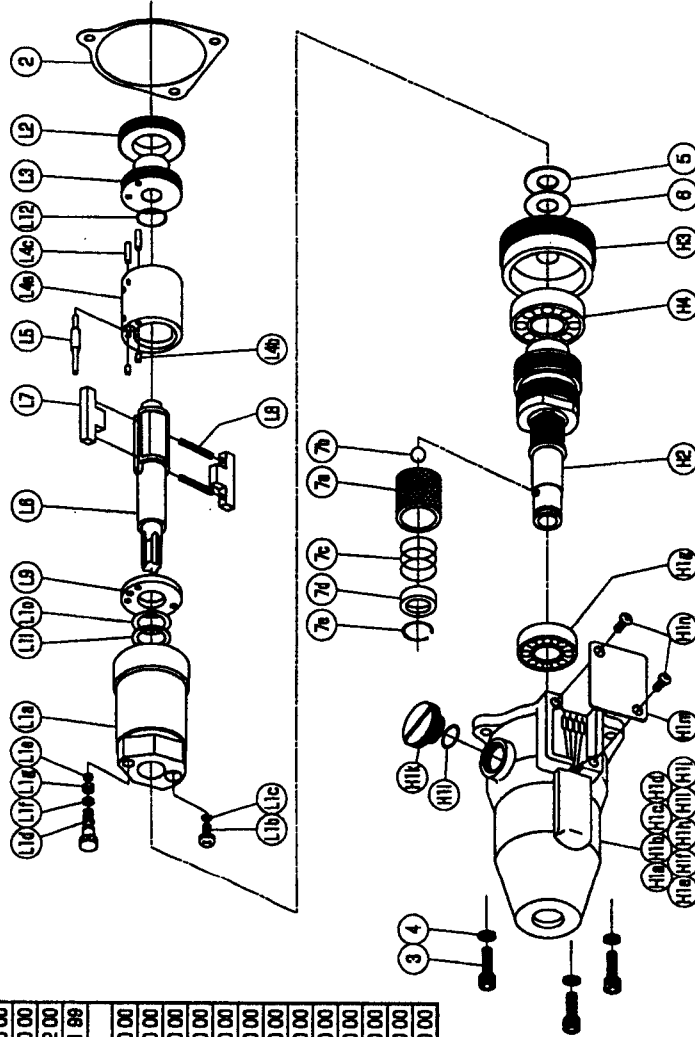
No.	Name of Parts	Per Set	Parts No.
L	Liner Case Assy.	1set	0267 0422 02 88
L1	Liner Case Assy.(1)	1set	0267 0422 00 88
	(a) Liner Case	1	0267 0422 00 00
	(b) Oil Plug	1	0081 0010 01 00
	(c) O - Ring (N3)	1	9010 4025 00 00
	Adjust Bolt Assy.	1set	0267 0522 00 88
	(d) Adjust Bolt	1	0267 0522 00 00
	(e) O - Ring (N2)	1	9010 4001 00 00
	(f) Back-up Ring (N2)	1	9080 2001 00 00
	(g) Nylon Bushing	1	0270 0431 00 00
L2	Liner Cap	1	0085 0423 00 00
L3	Liner Upper Plate	1	0085 0424 02 00
L4	Liner Assy.	1set	0085 0425 01 88
	(a) Liner	1	*
	(b) Pin (2x3.5)	2	8052 1028 00 00
	(c) AA Pin (2x8)	2	8052 3003 00 00
L5	Relief Valve	1	0085 0245 00 00
L6	Liner Shaft	1	0267 0786 00 00
L7	Blade	1	0267 0718 00 00
L8	Spring (3.1x14)	2	8020 1280 00 00
L9	Liner Lower Plate	1	0085 0426 00 00
L10	O - Ring (23x10.8x15.4)	1	9010 8025 00 00
L11	Back-up Ring (11x15x0.8)	1	9090 1011 00 00
L12	O - Ring (N20)	1	9010 4010 00 00
2	S - Packing	1	0083 0003 00 00
3	Hexagon Socket Bolt(M4x14)	3	8070 3008 00 00
4	Spring Washer (M4)	3	8200 3004 00 00

Parts for Hammer Case

No.	Name of Parts	Per Set	Parts No.
H	Hammer Case Assy.	1set	0267 0401 01 89
H1	Hammer Case Assy.(1)	1set	0267 0401 00 89
	(a) Hammer Case	1	*
	(b) Core (A) Assy.	1	*
	(c) Core (B)	1	*
	(d) Spacer (A)	1	*
	(e) Core (C)	1	*
	(f) Core (D) Assy.	1set	*
	(g) Ball Bearing (6801ZZ)	1	9100 5028 00 00
	(h) Set Screw (M4x5)	1	9480 1006 00 00
	(i) Micro Connector (OX-202)	4	8500 4001 00 00
	(j) Shrinkage Tube(φ 1.5x9)	4	9380 5010 00 00
	(k) Regulator Cap	1	0083 0204 00 00
	(l) O - Ring (N10)	1	9010 4004 00 00
	(m) Cover Plate	1	0083 0014 00 00
	(n) Cross Recessed Screw (M4x8)	2	8410 2004 00 00
H2	Main Shaft Assy.(A-type)	1set	0267 0614 00 89
H3	Bearing Case	1	0267 0650 00 00
H4	Ball Bearing (6903ZZ)	1	9100 5025 00 00
5	Washer (8.3x18x1)	1	8040 5008 00 00
6	Washer (8.3x18x0.5)	1	8041 5018 00 00
7	Bit Chuck Assy.	1set	2057 0414 00 89
	(a) Bit Chuck	1	2057 0414 00 00
	(b) Ball (1/8)	1	9180 3009 00 00
	(c) Spring (13.5x10)	1	8020 1340 00 00
	(d) Spring Washer	1	2331 0419 00 00
	(e) Retaining Ring (10x1)	1	8030 1008 00 00
	Standard Accessories		
	TF Pin (2x90)	1	8051 6001 00 00
	Hammer	1	0004 0017 00 00

The part "*" can not be supplied individually.
 So please order it as a unit of assembly shown by arrow mark (↑).

Exploded View of Liner Case and Hammer Case



YOKOTA EUROPA BV

P.O. BOX 392 NL-1000 AJ AMSTERDAM PHONE 020-6318800 FAX 020-6318808
 e-mail: info@impulsetools.com http://www.impulsetools.com
 Hydraulic Impact Wrenches, Impact Wrenches, Drills, Grinders, Screw Drivers, Chisels, Sockets, Pumps