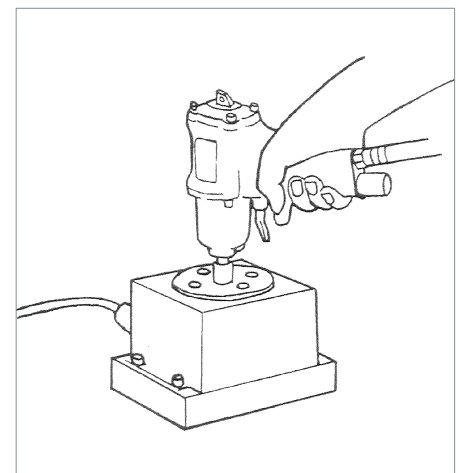


# Torque Tester – YET



## Digital Torque Tester with built-in pulse counter

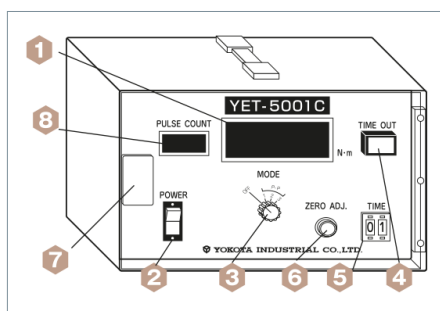
Management of tightening screws begins on checking fastening tools. YET testers are designed for high precision torque control of mainly impulse type tightening tools. Also usable for angle nutrunners, screw drivers, ratchet wrenches or the like. However impact wrenches can be tested also, you should not exceed approximately 2/3 of the testers rated capacity.

Install the YET torque tester in a tool maintenance shop, test laboratory, or at production lines for effective control of fastening such as

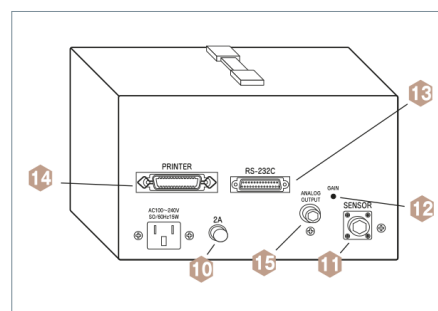
acceptance inspection, periodical check and torque adjustment.

Measuring time setting function (0.1-9.9 sec) allows torque measurement with measuring time setting in the graduation step of 0.1 sec. YET torque testers feature a parallel centronics printer port and a serial RS-232C computer interface enabling simultaneous protocol as well as external data recording.

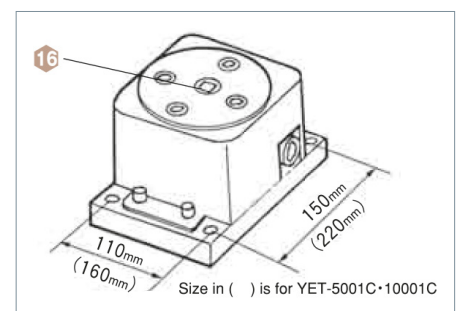
- ▶ Peak measurement for both right and left direction.
- ▶ Meas. units: Nm, cNm, mNm, kNm, lbfft, lbf in, ozfin, kgfcm, kgfm.
- ▶ High accuracy within R.O.  $\pm 0.5\%$  (static load).
- ▶ Measuring time adjustable by every 0.1 sec within 9.9 sec.
- ▶ Selectable off-time w LED display.
- ▶ Large digital torque display (LED).
- ▶ Built-in auto pulse counter.
- ▶ Serial computer interface RS-232C.
- ▶ Parallel printer port (Centronics).
- ▶ Analog output for waveform measuring.



- 1) LED display
- 2) Power Switch
- 3) Mode selector
- 4) Timeout Lamp
- 5) Timeout Selector
- 6) Zero Adj.
- 7) Dust Protector.
- 8) Pulse Count



- 10) Fuse 2A
- 11) Sensor Input
- 12) Gain Adjust
- 13) RS232C Output
- 14) Printer Output
- 15) Analog Terminal



16) Tool Insert

## YET

Model	Item No.	Torque Range *		Graduation		Accuracy $\pm$ N-m	Sq.Drv. inch	Weight (kg)		Standard Accs	
		N-m	kgf-m	N-m	kgf-m			Amp	Sensor	Sq. bit	Sq. adaptor
YET 501 C	420902	5 - 50	1 - 5	0.01	–	0.25	3/8	3.0	9.9	1x	–
YET 1001 C <sup>1)</sup>	420906	20 - 100	2 - 10	0.1	–	0.5	1/2	3.0	10.0	1x	3/8x1/2
YET 2001 C <sup>1)</sup>	420915	50 - 200	5 - 20	0.1	–	1.0	1/2	3.0	10.0	–	3/8x1/2
YET 5001 C <sup>2)</sup>	420925	100 - 500	10 - 50	0.2	–	2.5	3/4	3.0	22.7	–	1/2x3/4
YET 10001 C	420930	200 - 1000	20 - 100	1.0	–	5.0	1	3.0	22.7	–	–



Further information available on our website – 24/7.

\* The specified range applies only to impulse and angle screwdrivers. Impact wrenches may only be tested up to 70% of the tester's max. load capacity.

<sup>1)</sup> incl. square adapter 1/2m x 3/8f <sup>2)</sup> incl. square adapter 3/4m x 1/2f

MAIL: info@zemo-tools.de • PHONE: +49 (0)40 3039891-00 • WEB: www.zemo-tools.de