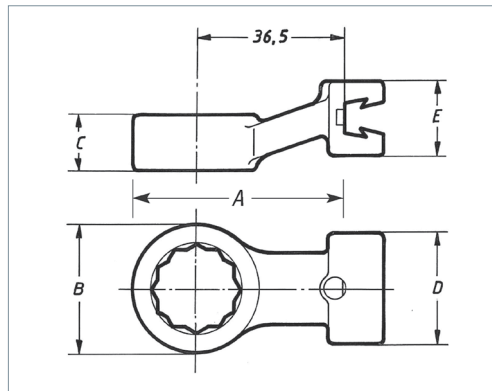


Interchangeable Heads – Box Head (36.5 mm)



Common Centre Line **INFO**

is the distance from the base of the dovetail mount to the centre of the axis of rotation in the interchangeable head and thus the axis of rotation of the screw or nut.

Sturtevant Richmond achieves an exactly constant centre distance by their special manufacturing process – from one casting.

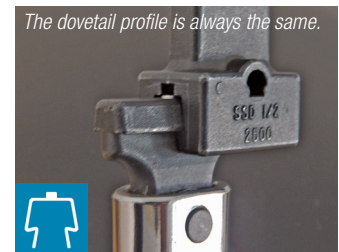
Box head interchangeable head with Sturtevant Richmond dovetail connector. Cast as a single piece from alloy steel. The manufacturing method provides strength and durability rarely attained by the more common "cut and weld" method. BH box heads are ideal, when:

- ➔ The entire hex of the fastener or fitting can be engaged,
- ➔ A high level of head strength (torque level) is needed.

The unique SR dovetail design used to join head and wrench provides an exceptionally strong connection and allows complete interchangeability. The SR system contributes to both operational flexibility and enhancing your return on investment!

Note: for larger sizes → see series S-BH.

- ▶ 12-point force transmission.
- ▶ SR dovetail connector with outstanding rigidity and wear resistance
- ▶ One-piece cast Alloy Steel, black finished
- ▶ **Common Center Line 1 7/16" (~36.5 mm)**
- ▶ Can be used with multiple dovetail torque wrenches, e.g.
 - ✓ Series LTC
 - ✓ Series SLTC, SLTC-FM
 - ✓ Series DTC up to 200 Nm / 1800i / 150 ft
 - ✓ Series CCM up to 200 Nm / 1800i / 150 ft
 - ✓ Series Exacta up to 200 Nm / 1800i / 150 ft
 - ✓ Series TAC



NATO approval (NSN) is **INFO** available for most models in this BH series.

BH – metric

Model	Item No.	A/F mm	max. N-m	Dimensions (mm)				
				A	B	C	D	E
BH-7MM	R809301	7	28	43.2	13.5	7.1	19.1	20.6
BH-8MM	R809302	8	39	43.2	13.5	7.1	19.1	20.6
BH-9MM	R809303	9	50	45.7	15.9	8.7	19.1	20.6
BH-10MM	R809230	10	50	45.7	15.9	8.7	19.1	20.6
BH-11MM	R809231	11	73	45.7	19.1	9.5	19.1	20.6
BH-12MM	R809304	12	96	45.7	21.4	9.5	19.1	20.6
BH-13MM	R809232	13	96	45.7	21.4	9.5	19.1	20.6
BH-14MM	R809233	14	119	48.3	24.6	10.3	22.2	20.6
BH-15MM	R809234	15	141	50.8	27.0	11.9	25.4	23.8
BH-16MM	R809305	16	141	50.8	27.0	11.9	25.4	23.8
BH-17MM	R809235	17	163	50.8	28.6	13.5	25.4	23.8
BH-18MM	R809306	18	163	50.8	28.6	13.5	25.4	23.8
BH-19MM	R809236	19	203	53.3	31.8	14.3	25.4	23.8
BH-20MM	R809309	20	225	53.3	33.3	14.3	25.4	23.8
BH-21MM	R809307	21	237	53.3	33.3	14.3	25.4	23.8
BH-22MM	R809308	22	271	55.9	36.5	15.9	31.8	23.8
BH-24MM	R809237	24	305	55.9	38.1	16.7	31.8	23.8
BH-26MM	R809312	26	355	55.9	39.7	18.3	31.8	23.8
BH-27MM	R809352	27	355	55.9	39.7	18.3	31.8	23.8

BH – inch

Model	Item No.	A/F inch	max. lbf-in	Dimensions (mm)				
				A	B	C	D	E
BH-1/4	R819060	¼	250	43.3	13.5	7.1	19.1	20.6
BH-5/16	R819061	5/16	350	43.3	13.5	7.1	19.1	20.6
BH-3/8	R819062	3/8	450	44.5	15.9	8.7	19.1	20.6
BH-7/16	R819063	7/16	650	46.0	19.1	9.5	19.1	20.6
BH-1/2	R819064	½	850	47.2	21.4	9.5	19.1	20.6
BH-9/16	R819065	9/16	1050	50.8	24.6	10.3	22.2	20.6
BH-5/8	R819066	5/8	1250	50.8	27.0	11.9	25.4	23.8
BH-11/16	R819067	11/16	1450	50.8	28.6	13.5	25.4	23.8
BH-3/4	R819068	¾	1800	52.4	31.8	14.3	25.4	23.8
BH-7/8	R819070	7/8	2400	57.2	36.5	15.9	31.8	23.8
BH-15/16	R819071	15/16	2700	57.2	38.1	16.7	31.8	23.8
BH-1	R819072	1	3000	57.2	39.7	18.3	31.8	23.8
BH-1 1/16	R819073	1 1/16	3150	57.2	39.7	18.3	31.8	23.8
BH-1 1/8	R819074	1 1/8	3300	63.5	52.4	22.2	31.8	23.8
BH-1 1/4	R819075	1 1/4	3600	63.5	52.4	22.2	31.8	23.8

