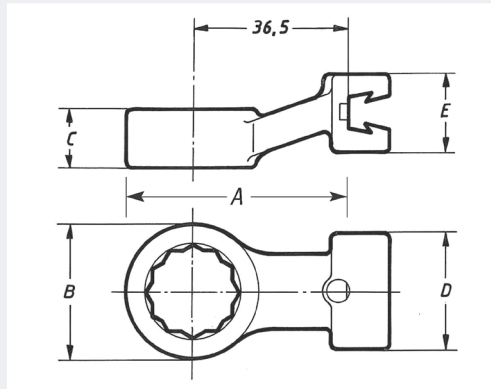


# Interchangeable Heads – Box Head (CCL 36.5 mm)



**INFO**  
 The term 'Common Center Line' means the distance from the base of the dovetail connector to the center of the rotary axis in the interchangeable head.  
 Sturtevant Richmond achieves an exactly constant center distance through the special manufacturing process – from one casting.

Box Head (BH) interchangeable head with Sturtevant Richmond dovetail connector. Cast as a single piece from alloy steel. The manufacturing method provides strength and durability rarely attained by the more common "cut and weld" method. BH box heads are ideal, when:

- » The entire hex of the fastener or fitting can be engaged,
- » A high level of head strength (torque level) is needed.

The unique SR dovetail design used to join head and wrench provides an exceptionally strong connection and allows complete interchangeability. The SR system contributes to both operational flexibility and enhancing your return on investment!

*Note: for larger sizes → see series S-BH.*

- ▶ 12-point force transmission.
- ▶ SR dovetail connector with outstanding rigidity and wear resistance.
- ▶ One-piece cast Alloy Steel, black finished.
- ▶ **Common Center Line 1 7/16" (~36.5 mm).**
- ▶ Can be used with multiple dovetail torque wrenches, e.g.
  - ✓ Series LTC / SLTC / SLTC-FM
  - ✓ Series DTC up to 200 Nm / 1800i / 150 ft
  - ✓ Series CCM up to 200 Nm / 1800i / 150 ft
  - ✓ Series Exacta up to 200 Nm / 1800i / 150 ft
  - ✓ Series TAC



**INFO**  
 NATO approval (NSN) is available for most models in this Box Head series.

## BH – metric

Model	Item No.	A/F mm	max. N-m	Dimensions (mm)				
				A	B	C	D	E
BH-7 MM	R809301	7	28	43.2	13.5	7.1	19.1	20.6
BH-8 MM	R809302	8	39	43.2	13.5	7.1	19.1	20.6
BH-9 MM	R809303	9	50	45.7	15.9	8.7	19.1	20.6
BH-10 MM	R809230	10	50	45.7	15.9	8.7	19.1	20.6
BH-11 MM	R809231	11	73	45.7	19.1	9.5	19.1	20.6
BH-12 MM	R809304	12	96	45.7	21.4	9.5	19.1	20.6
BH-13 MM	R809232	13	96	45.7	21.4	9.5	19.1	20.6
BH-14 MM	R809233	14	119	48.3	24.6	10.3	22.2	20.6
BH-15 MM	R809234	15	141	50.8	27.0	11.9	25.4	23.8
BH-16 MM	R809305	16	141	50.8	27.0	11.9	25.4	23.8
BH-17 MM	R809235	17	163	50.8	28.6	13.5	25.4	23.8
BH-18 MM	R809306	18	163	50.8	28.6	13.5	25.4	23.8
BH-19 MM	R809236	19	203	53.3	31.8	14.3	25.4	23.8
BH-20 MM	R809309	20	225	53.3	33.3	14.3	25.4	23.8
BH-21 MM	R809307	21	237	53.3	33.3	14.3	25.4	23.8
BH-22 MM	R809308	22	271	55.9	36.5	15.9	31.8	23.8
BH-24 MM	R809237	24	305	55.9	38.1	16.7	31.8	23.8
BH-26 MM	R809312	26	355	55.9	39.7	18.3	31.8	23.8
BH-27 MM	R809352	27	355	55.9	39.7	18.3	31.8	23.8

## BH – inch

Model	Item No.	A/F inch	max. lbf-in	Dimensions (mm)				
				A	B	C	D	E
BH-1/4	R819060	¼	250	43.3	13.5	7.1	19.1	20.6
BH-5/16	R819061	5/16	350	43.3	13.5	7.1	19.1	20.6
BH-3/8	R819062	3/8	450	44.5	15.9	8.7	19.1	20.6
BH-7/16	R819063	7/16	650	46.0	19.1	9.5	19.1	20.6
BH-1/2	R819064	½	850	47.2	21.4	9.5	19.1	20.6
BH-9/16	R819065	9/16	1050	50.8	24.6	10.3	22.2	20.6
BH-5/8	R819066	5/8	1250	50.8	27.0	11.9	25.4	23.8
BH-11/16	R819067	11/16	1450	50.8	28.6	13.5	25.4	23.8
BH-3/4	R819068	¾	1800	52.4	31.8	14.3	25.4	23.8
BH-7/8	R819070	7/8	2400	57.2	36.5	15.9	31.8	23.8
BH-15/16	R819071	15/16	2700	57.2	38.1	16.7	31.8	23.8
BH-1	R819072	1	3000	57.2	39.7	18.3	31.8	23.8
BH-1 1/16	R819073	1 1/16	3150	57.2	39.7	18.3	31.8	23.8
BH-1 1/8	R819074	1 1/8	3300	63.5	52.4	22.2	31.8	23.8
BH-1 1/4	R819075	1 1/4	3600	63.5	52.4	22.2	31.8	23.8

