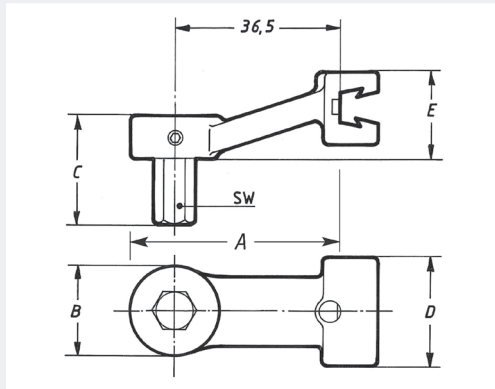


Interchangeable Heads – Hex Drive (CCL 36.5 mm)



INFO
 The term '*Common Center Line*' refers to the distance from the base of the dovetail connector to the center of the rotary axis in the interchangeable head.
 Sturtevant Richmond achieves an exactly constant center distance through the special manufacturing process – from one casting.

Sturtevant Richmond's **Hex Drive** interchangeable heads with fixed hexagon drive and dovetail tool attachment are ideal when:

» 'Allen' screw heads must be tightened.

The base bodies of these interchangeable attachments from Sturtevant Richmond are cast in one piece from alloyed tool steel, resulting in an exactly constant centre distance. This means that these tool heads can be interchanged as required without having to adjust the torque setting. The dovetail profile is also always the same and therefore fits all SR dovetail torque wrenches and attachments.

Note: Other sizes and/or special designs are available on request.

- ▶ 6-point force transmission.
- ▶ SR dovetail tool connector profile with superior bending stiffness and legendary wear resistance.
- ▶ One-piece cast Alloy Steel, black oxide finish.
- ▶ Centre line 36.5 mm (1 7/16 inch).
- ▶ Can be used with SR dovetail torque wrench series ...
 - » LTC / SLTC / SLTC-FM
 - » BLT
 - » DTC up to capacity 200 Nm (150 ft.lb)
 - » CCM up to capacity 200 Nm (150 ft.lb)
 - » Exacta up to capacity 200 Nm (150 ft.lb)
 - » TAC



Each SR dovetail head fits on any SR dovetail wrench.



The SR dovetail profile is always the same.

INFO
 Tool heads of the same center line can be interchanged at will without having to re-adjust the torque wrench.
 However, when interchanging heads with different center lines, the torque has to be re-adjusted each time!

HD – metric									
Model	Item Code	AF mm	max. N-m	Dimensions mm					
				A	B	C ¹⁾	D	E	
HD-4MM	R809315	4	14	43.2	13.5	25.4	19.1	20.6	
HD-5MM	R809316	5	27	43.2	13.5	25.4	19.1	20.6	
HD-6MM	R809317	6	37	45.7	15.9	25.4	19.1	20.6	
HD-8MM	R809318	8	95	45.7	21.4	25.4	19.1	20.6	
HD-10MM	R809319	10	141	48.3	24.6	25.4	22.2	20.6	

HD – inch									
Model	Item Code	AF inch	max. lbf-in	Dimensions mm					
				A	B	C ¹⁾	D	E	
HD-3/32	R819687	3/32	30	43.2	13.5	21.4	19.1	20.6	
HD-1/8	R819689	1/8	70	43.2	13.5	24.6	19.1	20.6	
HD-9/64	R853032	9/64	70	43.2	13.5	24.6	19.1	20.6	
HD-5/32	R819691	5/32	135	43.2	13.5	25.4	19.1	20.6	
HD-3/16	R819692	3/16	235	43.2	13.5	25.4	19.1	20.6	
HD-7/32	R819693	7/32	340	45.7	15.9	25.4	19.1	20.6	
HD-1/4	R819694	1/4	450	45.7	15.9	25.4	19.1	20.6	
HD-5/16	R819695	5/16	850	45.7	21.4	25.4	19.1	20.6	
HD-3/8	R819696	3/8	850	45.7	21.4	25.4	19.1	20.6	
HD-3/4	R819701	3/4	2400	55.9	36.5	50.8	31.8	23.8	
HD-7/8	R819702	7/8	2700	55.9	38.1	50.8	31.8	23.8	



Further info on our website.
24/7

¹⁾ depending on inserted hex drive bit.