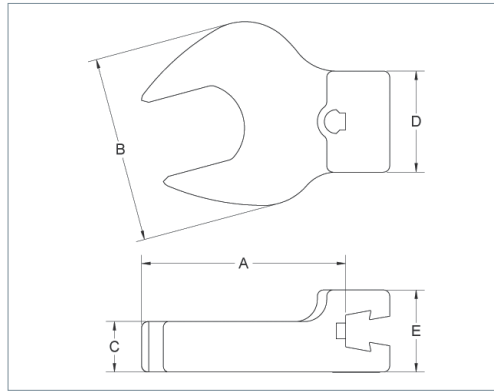


Interchangeable Heads – Open End (36.5)

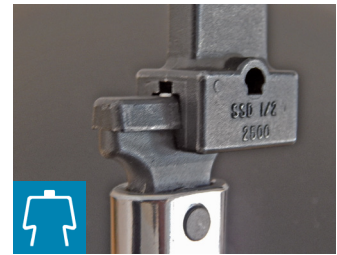


Common Centre Line **INFO**
 is the distance from the base of the dovetail mount to the centre of the axis of rotation in the interchangeable head and thus the axis of rotation of the screw or nut.
 Sturtevant Richmond achieves an exactly constant centre distance by their special manufacturing process - from one casting.

The unique Sturtevant Richmond dovetail design used to join head and wrench provides an exceptionally strong connection and allows complete interchangeability. To achieve constant torque values when changing heads, exact lever length must be maintained. Virtually all SR heads share a precise distance from end of wrench to center of fastener. This is referred to as a "Common Centre Line".

Other sizes are available as special designs on request.

- ▶ 15 degrees opening offset
- ▶ SR dovetail connector with outstanding rigidity and wear resistance
- ▶ One-piece cast Alloy Steel, black finished
- ▶ **Common Center Line 1 7/16"** (~36.5 mm)
- ▶ Can be used with multiple dovetail torque wrenches, e.g.
 - ✓ Series LTC, SLTC, SLTC-FM
 - ✓ Series DTC
 - ✓ Series Exacta
 - ✓ Series CCM up to 200 Nm / 1800i / 150 ft
 - ✓ Series TAC.



OE – mm

Model	Item No.	A/F mm	max. N-m	Dimensions mm				
				A	B	C	D	E
OE-5 MM	R809294	5	8	43.2	19.1	6.4	19.1	17.5
OE-6 MM	R809290	6	9	43.2	19.1	6.4	19.1	17.5
OE-7 MM	R809291	7	11	43.2	19.1	6.4	19.1	17.5
OE-8 MM	R809292	8	16	43.2	19.1	6.4	19.1	17.5
OE-9 MM	R809293	9	22	45.7	27.0	7.9	19.1	17.5
OE-10 MM	R819943	10	22	45.7	27.0	7.9	19.1	17.5
OE-11 MM	R819944	11	34	45.7	27.0	7.9	19.1	17.5
OE-12 MM	R809226	12	39	48.3	33.3	9.5	19.1	17.5
OE-13 MM	R819945	13	39	48.3	33.3	9.5	19.1	17.5
OE-14 MM	R819946	14	45	48.3	33.3	9.5	19.1	17.5
OE-15 MM	R809227	15	67	48.3	40.5	11.1	22.2	17.5
OE-16 MM	R819947	16	67	48.3	40.5	11.1	22.2	17.5
OE-17 MM	R819948	17	79	48.3	40.5	11.1	22.2	17.5
OE-18 MM	R809228	18	90	48.3	40.5	11.1	22.2	17.5
OE-19 MM	R819949	19	113	50.8	46.8	12.7	25.4	20.6
OE-21 MM	R819950	21	140	50.8	46.8	12.7	25.4	20.6
OE-22 MM	R819951	22	169	50.8	54.0	12.7	31.8	20.6
OE-24 MM	R819952	24	197	50.8	54.0	12.7	31.8	20.6
OE-26 MM*	R853475	26	197	50.8	54.0	12.7	31.8	20.6
OE-27 MM	R809229	27	254	55.9	58.7	12.7	31.8	20.6
OE-30 MM	R819956	30	310	58.4	69.9	12.7	31.8	20.6
OE-31 MM	R853043	31	328	58.4	69.9	12.7	31.8	20.6
OE-32 MM	R819958	32	338	58.4	69.9	12.7	31.8	20.6

OE – inch

Model	Item No.	A/F inch	max. lbf-in	Dimensions mm				
				A	B	C	D	E
OE-1/4	R819000	1/4	100	41.3	19.1	6.4	19.1	17.5
OE-5/16	R819001	5/16	150	41.3	19.1	6.4	19.1	17.5
OE-3/8	R819002	3/8	200	46.0	27.0	7.9	19.1	17.5
OE-7/16	R819003	7/16	300	46.0	27.0	7.9	19.1	17.5
OE-1/2	R819004	1/2	350	49.2	33.3	10.3	19.1	17.5
OE-9/16	R819005	9/16	400	49.2	33.3	10.3	19.1	17.5
OE-5/8	R819006	5/8	600	49.2	40.5	11.1	22.2	17.5
OE-11/16	R819007	11/16	800	49.2	40.5	11.1	22.2	17.5
OE-3/4	R819008	3/4	1000	50.8	46.8	12.7	25.4	20.6
OE-13/16	R819009	13/16	1250	50.8	46.8	12.7	25.4	20.6
OE-7/8	R819010	7/8	1500	50.8	54.0	12.7	31.8	20.6
OE-15/16	R819011	15/16	1750	50.8	54.0	12.7	31.8	20.6
OE-1	R819012	1	2000	60.3	58.7	12.7	31.8	20.6
OE-1 1/16	R819013	1 1/16	2250	60.3	58.7	12.7	31.8	20.6
OE-1 1/8	R819014	1 1/8	2500	58.7	69.9	12.7	31.8	20.6
OE-1 3/16	R819015	1 3/16	2750	58.7	69.9	12.7	31.8	20.6
OE-1 1/4	R819016	1 1/4	3000	58.7	69.9	12.7	31.8	20.6

NATO approval (NSN) **INFO**
 is available for most models in this OE series.



* Customised production. Minimum order quantity 4 each per order.

