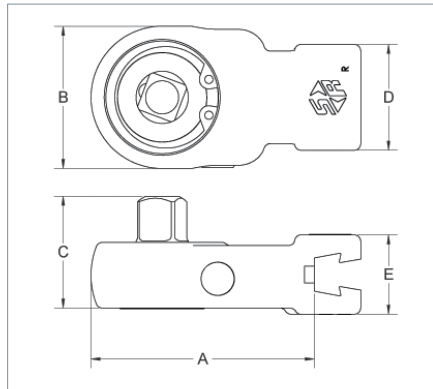


# Interchangeable Heads – Square Drive Ratchet



img. from l. to r.: SDRT with ball retainer, with socket lock pin (SLP), with hole (DH).



- ▶ Ratchet Square Drive according to DIN 3120 A
- ▶ R/L reversible via slide pin
- ▶ Sturtevant Richmond dovetail connector with outstanding rigidity and wear resistance
- ▶ **Center Lines:**
  - ◇ **36.5 mm** (1 7/16); usable on series LTC, SLTC, SLTC-FM, as well as DTC, Exacta and CCM up to 200 Nm
  - ◇ **98.4 mm** (3 7/8); usable on series LTC, SLTC, SLTC-FM, as well as CCM and Exacta 400 Nm or above
- ▶ Body cast alloy steel, black finish, ratchet drive chrome plated

## SDRT – Centre line 36.5 mm

Model	Item No.	SqD inch	max N-m	Dimensions mm				
				A	B	C	D	E
SDRT 1/4	R809504	1/4	28	47.6	25.4	22.2	19.1	17.5
SDRT 3/8	R809505	3/8	141	50.8	37.3	34.1	29.4	20.6
SDRT 1/2	R809506	1/2	282	63.5	47.6	36.5	31.8	21.4

## SDRT – Centre line 98.4 mm

Model	Item No.	SqD inch	max. N-m	Dimensions mm				
				A	B	C	D	E
SDRT-3/4	R809507	3/4	542	n.a.	73	32	38	25

*Recommended for use on SR preset torque wrench series LTC, SLTC, SLTC-FM, as well as on CCM and Exacta 400 Nm or above.*

## Special Versions – Centre line 36.5 mm

Model	Item No.	SqD inch	Hex Key	max N-m	Dimensions mm				
					A	B	C	D	E
SBR 1/4	R853752	3/8	–	28	47.6	25.4	22.2	19.1	17.5
SBR 3/8	R853395	1/2	–	141	50.8	37.3	34.1	29.4	20.6
SBR 1/2	R809508	3/4	–	282	63.5	47.6	36.5	31.8	21.4
SLRP 1/4	R853304	1/4	–	28	47.6	25.4	22.2	19.1	17.5
SLRP 3/8	R853305	3/8	–	141	50.8	37.3	34.1	29.4	20.6
SLRP 1/2	R853548	1/2	–	282	63.5	47.6	36.5	31.8	21.4
SDRT 1/4 DH125 (1/8)	R853619	1/4	3/32	28	47.6	25.4	22.2	19.1	17.5
SDRT 1/4 DH140 (9/64)	R853590	1/4	1/8	28	47.6	25.4	22.2	19.1	17.5
SDRT 3/8 DH125 (1/8)	R853656	3/8	3/32	141	50.8	37.3	34.1	29.4	20.6
SDRT 3/8 DH156 (5/32)	R853246	3/8	1/8	141	50.8	37.3	34.1	29.4	20.6
SDRT 1/2 DH156 (5/32)	R853364	1/2	1/8	282	63.5	47.6	36.5	31.8	21.4

## Ratche Renewal Kit 'RRK'

Model	SqD inch	Item No.
1/4" Ratchet renewal kit for R809504	1/4	R816998
3/8" Ratchet renewal kit for R809505	3/8	R816958
1/2" Ratchet renewal kit for R809506	1/2	R816956
3/4" Ratchet renewal kit for R809507	3/4	R816999
3/8" Ratchet renewal kit for R853395	1/2	R816959
1/2" Ratchet renewal kit for R809508	3/4	R816957

Sturtevant Richmond offers different ratchets to meet the needs of different industries. In addition to the normal industrial assembly tool ratchets we also offer "Hold and Drive" ratchets for aerospace.

### Hold & Drive Ratchets

Aerospace assemblies sometimes use a special fastener to ensure there are no gaps between surfaces. Sturtevant Richmond creates these ratchets using our existing designs. Holes are precision drilled to ensure flawless use while maintaining structural integrity. Plus you get the benefit of placing this head at the end of many different Sturtevant Richmond torque wrenches. Like all of our heads, these ratchets maintain the common centerline.

### Socket Lock Pin

When you need additional security with impact sockets ensuring a socket stays on a wrench, the Socket Lock Pin series provides a solid solution. Engineered for strength and built for durability.

### Small Ratchet Body With Larger Drive Size

These versions are ideal when you need a larger drive square in a small ratchet body.

### NATO approval (NSN)

SDRT-1/4 (809504) = 5120-01-394-4265

SDRT-3/8 (809505) = 5120-01-394-4263

SDRT-1/2 (809506) = 5120-01-394-4264

INFO

