

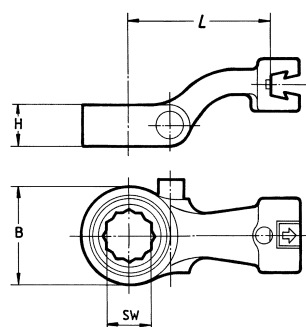


Interchangeable Heads – Special Ratchets



- ▶ Double hexagon ratchet with 12-point force transmission.
- ▶ Ideal, when a higher amount of rotation will be needed to attain the desired torque.
- ▶ R/L reversible via slide pin.
- ▶ SR dovetail connector with outstanding rigidity and wear resistance.
- ▶ Alloy Steel, black finished, partially chrome plated.
- ▶ Centre line due to model.
- ▶ Recommended for use with preset Dovetail click-type torque wrenches from the LTC, BLT and SLTC/SLTC-FM series.
- ▶ Other A/F widths, also inch sizes, available on request.

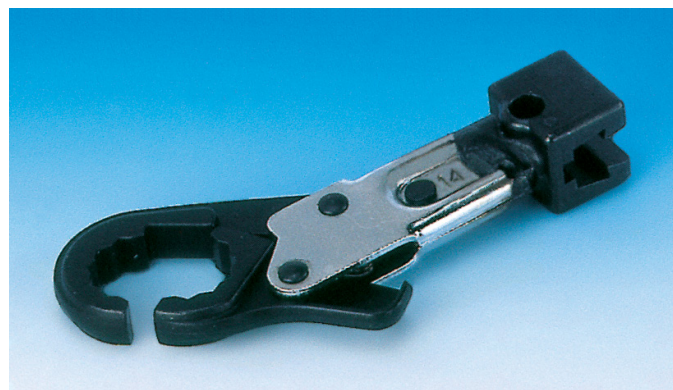
Because of the individual configuration of these special heads it is hardly possible to maintain a consistent centre line. When interchanging heads with different centre lines, the torque wrench must be individually adjusted in each case! Further we recommend that exactly the intended head and wrench combination is used, if you pre-set the wrench on a torque tester.



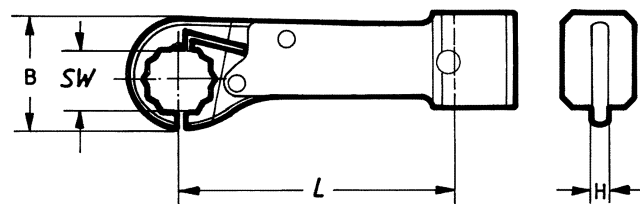
Please note: The torque wrench must be readjusted for each different centre distance!

SW-R (different centre lines)

Model	Item No.	A/F mm	max. N·m	Dimensions mm		
				L	B	H
SW-17 R	R712369	17	61	52	36	15
SW-19 R	R712367	19	103	53	38	16
SW-22 R	R712683	22	167	55	42	17
SW-24 R	R712368	24	210	58	46	18
SW-27 R	R712370	27	270	60	50	18
SW-30 R	R712412	30	320	98.2	54	20
SW-32 R	R712413	32	350	98.2	58	20



- ▶ Ratcheting Tube Wrench with 12-point force transmission.
- ▶ Ideal for tightening of cap nuts on brake pipes, oil pressure lines or control lines etc.
- ▶ Clamping jaws are folded over the nut. Linear moveability of the jaws enables ratchet function.
- ▶ SR dovetail connector with outstanding rigidity and wear resistance.
- ▶ Alloy Steel, black finished, partially chrome plated.
- ▶ Centre line due to model.
- ▶ Recommended for use with preset Dovetail click-type torque wrenches from the LTC, BLT and SLTC/SLTC-FM series.
- ▶ Other A/F widths, also inch sizes, available on request.



FM (different centre lines)

Model	Item No.	A/F mm	max. N·m	Dimensions mm		
				L	B	H
FM-10MM-STA	R712338	10	27	70	22	7
FM-11MM-STA	R712276	11	27	70	24	7
FM-12MM-STA	R712589	12	27	70	25	7
FM-13MM-STA	R712339	13	32	70	25	7
FM-14MM-STA	R712359	14	35	70	26	8
FM-15MM-STA	R712639	15	35	70	26	8
FM-16MM-STA	R712408	16	35	70	28	8
FM-17MM-STA	R712275	17	85	70	32	10
FM-19MM-STA	R712320	19	100	70	34	10
FM-20MM-STA	R712410	20	110	80	38	10
FM-22MM-STA	R712333	22	130	70	40	13
FM-24MM-STA	R712340	24	145	80	43	14
FM-27MM-STA	R712332	27	170	95	50	16
FM-32MM-STA	R712353	32	190	105	55	16



Further info on our website.
24/7