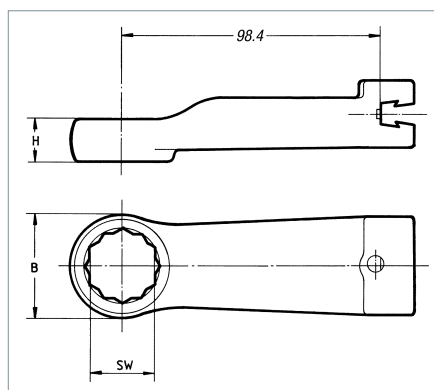
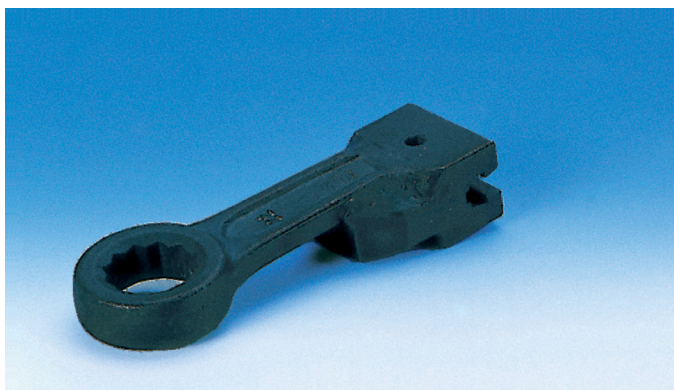




Interchangeable Heads – Box Head (98.4 mm)



The dovetail profile is always the same.



Each dovetail head fits every dovetail wrench

Interchangeable ring spanner head with Sturtevant Richmond dovetail socket. Special version with large centre distance. Can be used with SR torque spanners of the LTC series, SLTC series, SLTC-FM series and CCM series from model 400 Nm resp. 300 Ft.lb or above.

Sturtevant Richmond's unique dovetail design, which joins the attachment and torque wrench together, provides an exceptionally strong connection and also ensures complete interchangeability of the heads. The SR dovetail system avoids unnecessary increases in purchase and ownership costs, contributes to operational flexibility and increases your return on investment (ROI)!

Note: Other spanner sizes or special designs available on request.

- ▶ Double hexagon with 12-point force transmission
- ▶ SR dovetail tool attachment with outstanding flexural rigidity and wear resistance
- ▶ Tool steel, black finished, manufactured according to DIN 3111 or DIN 7444
- ▶ Torque according to DIN 899 Series C
- ▶ **Centre line 3 7/8" (~98.4 mm)**
- ▶ Recommended for use with pre-set dovetail torque wrenches
 - ✓ Series LTC, SLTC, SLTC-FM
 - ✓ Series TAC
 - ✓ Series CCM 400 Nm / 300 ft.lb or above

INFO

Dovetail tool heads with the same centre distance can be interchanged without having to re-adjust the torque wrench.

However, when changing heads with different centre distances, the torque must be re-adjusted each time!

S-BH – metric

Model	Item No.	A/F mm	max. N-m	Dimensions mm				
				–	B	H	–	
S-BH 12MM	R712594	12	n.a.		n.a.	n.a.	–	–
S-BH 17MM	R712298	17	200		29	12	–	–
S-BH 19MM	R712312	19	250		30	12	–	–
S-BH 21MM	R713222	21	n.a.		n.a.	n.a.	–	–
S-BH 22MM	R712313	22	368		40	14	–	–
S-BH 24MM	R712527	24	450		42	16	–	–
S-BH 27MM	R712528	27	590		47	17	–	–
S-BH 30MM	R712529	30	600		54	18	–	–
S-BH 32MM	R712530	32	600		54	18	–	–
S-BH 36MM	R712531	36	600		60	20	–	–
S-BH 41MM	R712468	41	600		66	22	–	–
S-BH 46MM	R712300	46	600		75	24	–	–
S-BH 50MM	R712447	50	600		80	25	–	–
S-BH 55MM	R712265	55	600		88	26	–	–



Further info on our website. 24/7