



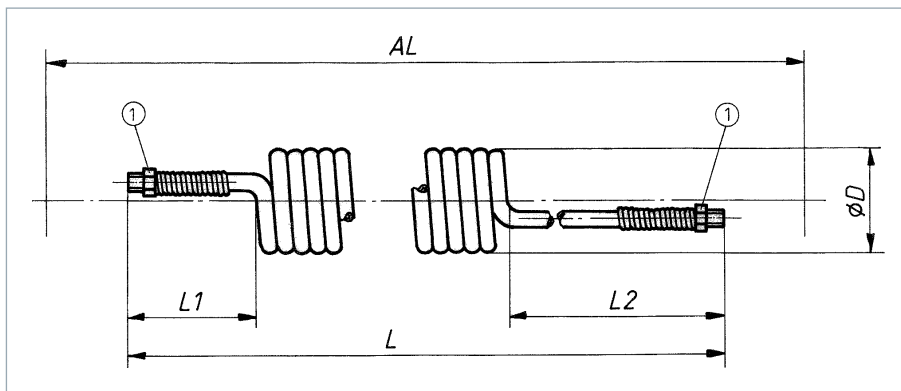
## MODY spiral hoses made of polyurethane

Equipped with kink protection on both axial outlets.

Special versions available on request.

These spiral hoses have excellent material properties for flexible compressed air supply and find their way back to their original shape even after the most severe deformation. Despite their enormous range, they make a significant contribution to occupational safety.

We recommend mounting from the ceiling and using high-quality, reusable and rotatable connection fittings with appropriate kink protection.



- Permanent return force of the spiral
- High abrasion, pressure, wear and buckling resistance
- Space-saving despite long range
- Plasticiser-, heavy metal- and silicone-free, recyclable, petrol-, oil- and antifreeze-resistant

### Raw material

The high-quality hoses made of the raw material „Elastollan“ offer the best mechanical properties (especially a very high pressure resistance over a wide temperature range) as well as excellent continuous use properties.

Many manufacturers mostly use so-called „re-granulate“ (raw material that has been processed several times) and cannot match this high quality. As a result, the mechanical properties (i.e. pressure resistance especially

at higher temperatures, abrasion behaviour, recovery properties, etc.) of the hose are significantly reduced.

### Manufacturing tolerances

All materials are subject to the tightest manufacturing tolerances. Strict adherence to these tolerances ensures the use of the products over the entire length of the hose for the respective applications. Individual manufacturing tolerances can be requested and agreed depending on the quantity required.

### Calibration

The outer diameter and wall thickness of each individual hose are calibrated. The MODY spiral hoses can therefore be used with various plug-in or screw connection systems. The ovality of the hoses is also within narrow limits suitable for plug-in connections. This ensures a consistently high pressure load capacity with comparatively large internal diameters.

## PU spiral hose, yellow

Hose Ø	Item No.	External thread Hose outlet	AL m	L mm	L1 mm	L2 mm	ø D mm
NW 6 (inner Ø 6.5) (outer Ø 10)	351710	R 1/4 × R 1/4	3	900	100	400	40
	351711	R 1/4 × R 1/4	5	1150	100	400	40
	351714	R 1/4 × R 1/4	7.5	2250	100	1000	40
NW 8 (inner Ø 8) (outer Ø 12)	351720	R 1/4 × R 1/4	3	1000	100	500	60
	351721	R 1/4 × R 1/4	5	1200	100	500	60
	351727	R 1/4 × R 1/4	7.5	2250	100	1000	60
	351723	R 3/8 × R 3/8	3	1000	100	500	60
	351724	R 3/8 × R 3/8	5	1200	100	500	60
NW 9 (inner Ø 9) (outer Ø 13)	351728	R 3/8 × R 3/8	7.5	2250	100	1000	60
	351740	R 3/8 × R 3/8	3	1150	120	600	65
	351741	R 3/8 × R 3/8	5	1350	120	600	65
	351743	R 3/8 × R 3/8	7.5	2300	120	1000	65



# PU spiral hoses – customized



## MODY spiral hoses made of polyurethane

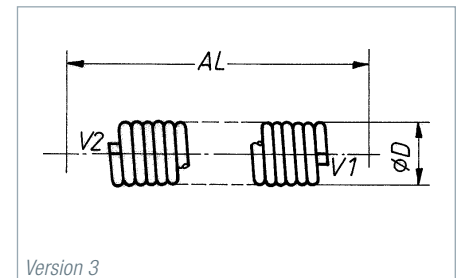
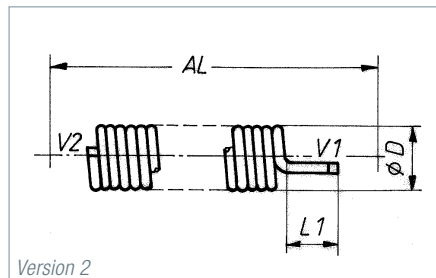
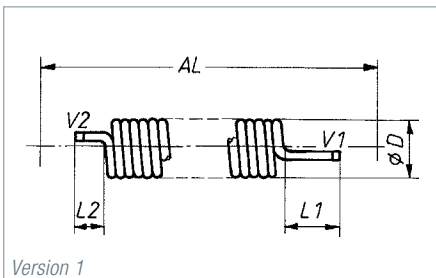
Manufactured in special design to suit your requirements – with or without axial outlet, thread equipment as required, etc.

Note down the desired details in the table below and send us your enquiry. We will be happy to provide you with an individual offer.

### Standard dimensions

Hose Ø mm	AL m	L1 mm	L2 mm	ø D mm
NW 4	18	100	100	40
NW 6	16	100	100	60
NW 8	12	100	100	70
NW 9	12	100	100	90
NW 12	10	150	150	155

- Permanent return force of the spiral
- High abrasion, pressure, wear and buckling resistance
- Space-saving despite long range
- Plasticiser-, heavy metal- and silicone-free, recyclable, petrol-, oil- and antifreeze-resistant



### PU spiral hose in required version, blue

In this table you can note the data		Version 1	Version 2	Version 3
Hose Ø	NW			
Operating length	AL			
Axial length	L1			n. a.
	L2		n. a.	n. a.
Hose outlet V1	R" External thread			
	R" External thread, rotatable			
	R" Internal thread			
	R" Internal thread, rotatable			
Hose outlet V2	R" External thread			
	R" External thread, rotatable			
	R" Internal thread			
	R" Internal thread, rotatable			
Spiral Ø	D			
Item No.	Special version			



Further information available 24 / 7 on our website.

Phone: +49 40 303 989 100 • e-Mail: info@zemo-tools.de

**ZEMO**  
www.zemo-tools.de