

- ▶ Hard rubber with steel core.
- ▶ 3-piece (standard).
- ▶ Weight approx. 1.5 kg.
- ▶ Fixing with 2 screws M6.

Rubber Holster

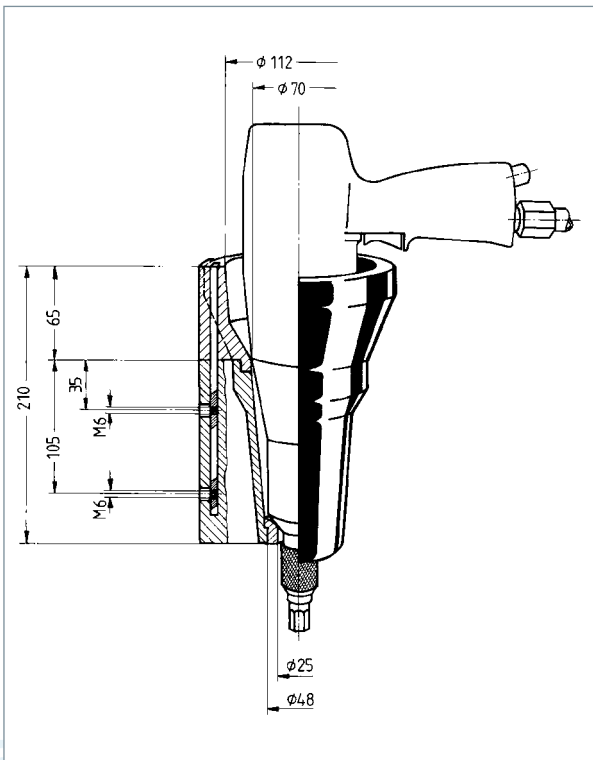
Universal tool holster for all machine-driven tools such as straight screwdrivers, angle screwdrivers, pistol screwdrivers, grinders, etc.

The tools stored in the holder are always within reach and are protected from external influences at the same time. A free workspace ensures increased safety. The holder is made of solid rubber and tapers towards the bottom.

For slim tools (e.g. straight screwdrivers) there is an optional special insert for narrowing the holder.

The holster tapers towards the bottom and is made of solid rubber. This material has the advantage that it can be individually notched, e.g. so that the trigger/starter of a deposited impulse wrench would not be activated unintentionally, causing the screwdriving tool in the quiver to run ahead of itself.

The rubber quiver is always supplied in 3 parts; thus, depending on the dimensions of the tool, the upper and/or lower rubber part can be omitted. The fastening, e.g. to a workbench, is done by means of two M6 screws.



Rubber Holster

Model	Item No.	Weight kg	Variant (pcs)
WK-3	793106	1	3

