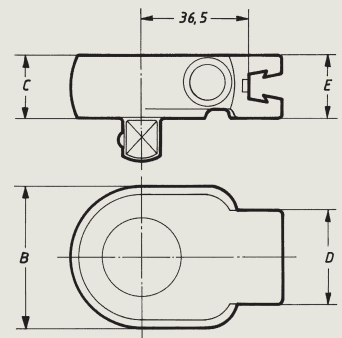


Interchangeable Heads Dovetail – Square Drive Ratchet



To achieve constant torque values when changing heads, exact lever length must be maintained. Virtually all S/R heads share a precise distance from end of wrench to center of fastener. This is referred to as a "Common Center Line" and is very difficult to maintain using the cut and weld construction method.

SDRT ratchet heads are ideal, when:

- a socket can be used to engage the fastener,
- a higher amount of rotation will be needed to attain the desired torque.

- Square drive acc. to DIN3120A.
- R/L reversible via slide pin.
- S/R dovetail connector with outstanding rigidity and wear resistance.
- Centerline 36.5 mm.
- Alloy Steel, black finished, partially chrome plated.



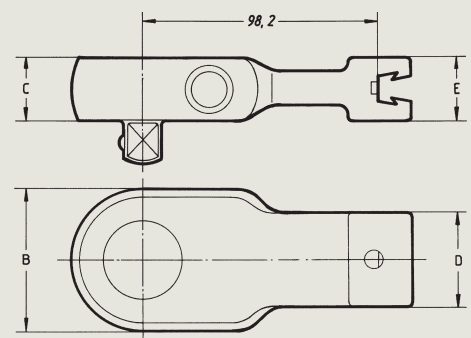
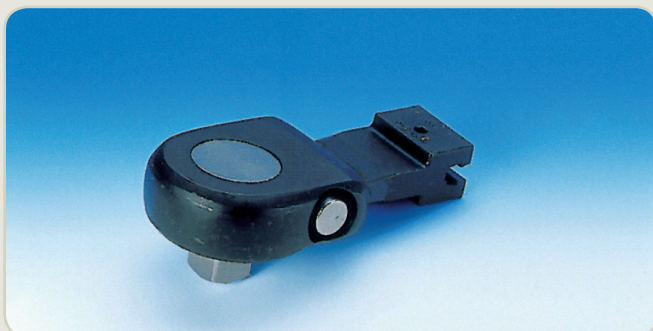
Suitable for S/R clicker wrench series LTC and series CCM up to 200 Nm.

SDRT

Model	Part No.	Sq.Dr. Inch	max. N-m	Dimensions mm				Price €	PG
				B	C	D	E		
SDRT-1/4	R809504	1/4	28	25	13	19	17		15
SDRT-3/8	R809505	3/8	141	37	17	29	21		15
SDRT-3/8-1/2	R712550	1/2	141	37	17	29	21		15
SDRT-1/2	R809506	1/2	282	48	22	32	21		15

RRK

Model	Part No.	Sq.Dr. Inch	Price €	PG
Ratchet Renewal Kit 1/4"	R816998	1/4		19
Ratchet Renewal Kit 3/8"	R816958	3/8		19
Ratchet Renewal Kit 1/2"	R816956	1/2		19
Ratchet Renewal Kit 3/4"	R816999	3/4		19



SDRT – Centerline 98.2 mm

Model	Part No.	Sq.Dr. Inch	max. N-m	Dimensions mm				Price €	PG
				B	C	D	E		
SDRT-3/4	R809507	3/4	542	73	32	38	25		12

Designed for use with S/R clicker wrench series LTC, and CCM-400 N-m rsp. 300 lbf·ft or higher.

- Square drive acc. to DIN 3120A.
- R/L reversible via slide pin.
- S/R dovetail connector.
- Centerline 98.2 mm.
- Alloy Steel, black finished, partially chrome plated.

Prices are valid per unit in Euro plus VAT and/or any custom fees exw Hamburg, incl. packing. Subject to change. Errors excepted.

ZEMO Vertriebs GmbH · Peutestr. 47 · 20539 Hamburg · Tel: +49 (0)40-789181-02 · Fax: +49 (0)40-789181-12 · E-Mail: info@zemo-tools.de