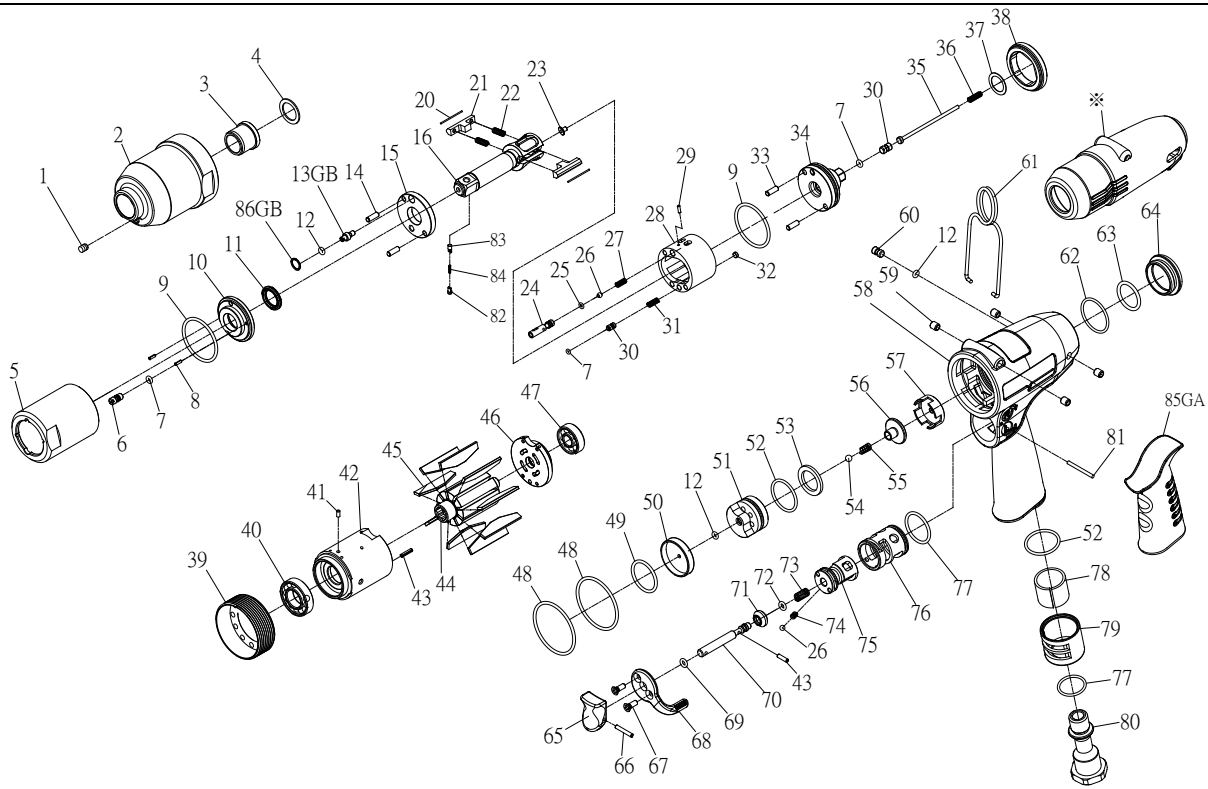


RRI-30T IMPULSE WRENCH



Edition:07B

| Index No. | Part No. | Description | Q'ty | Index No. | Part No. | Description | Q'ty |
|-----------|-------------|------------------------|------|-----------|-----------|--|------|
| 1 | 00-0610 | Plug | 1 | 50 | IS40-307 | Rear Cover | 1 |
| 2 | I30S-201 | Front Housing | 1 | 51 | IS40-524 | Valve Seat | 1 |
| 3 | I40S-202 | Bushing | 1 | 52 | 00-41145 | O-Ring | 2 |
| 4 | I40S-424 | Washer | 1 | 53 | IS40S-312 | Washer | 1 |
| 5 | I30S-401 | Pulse Cylinder Housing | 1 | 54 | 00-3824 | Steel Ball | 1 |
| 6 | I30S-410 | Oil Plug | 1 | 55 | IS40S-313 | Spring | 1 |
| 7 | 00-41173 | O-Ring | 3 | 56 | IS40S-311 | Valve | 1 |
| 8 | 00-3318 | Spring Pin | 2 | 57 | IS40-518 | Seat | 1 |
| 9 | 00-41110 | O-Ring | 2 | 58 | IS40-101 | Motor Housing | 1 |
| 10 | I30S-403 | Front Plate Cover | 1 | 59 | I40S-108 | Bushing | 4 |
| 11 | 00-2604 | X-Ring | 1 | 60 | IS100-609 | Screw | 1 |
| 12 | 00-41113 | O-Ring | 3 | 61 | I40S-102 | Hanger | 1 |
| 13GB | I80-411 | Adjust Screw | 1 | 62 | 00-41146 | O-Ring | 1 |
| 14 | 00-3435 | Pin | 2 | 63 | 00-4169 | O-Ring | 1 |
| 15 | I30S-408 | Front Plate | 1 | 64 | I40-104 | Nut | 1 |
| 16 | I30-405-B | Main Shaft | 1 | 65 | I40-504 | Trigger | 1 |
| 20 | I40S-452 | Roller | 2 | 66 | 00-3354 | Spring Pin | 1 |
| 21 | I30S-406-B | Drive Blade | 2 | 67 | 00-0505 | Screw | 2 |
| 22 | I30S-407 | Spring | 2 | 68 | I100-503 | Regulator Knob | 1 |
| 23 | IS40-450 | Block Valve | 1 | 69 | 00-4101 | O-Ring | 1 |
| 24 | IS40S-412-C | Valve | 1 | 70 | IS40-505 | Valve Stem | 1 |
| 25 | 00-41130 | O-Ring | 1 | 71 | I100-508 | Bushing | 1 |
| 26 | 00-3813 | Steel Ball | 2 | 72 | 00-41172 | O-Ring | 1 |
| 27 | IS30S-425 | Spring | 1 | 73 | I40-507 | Spring | 1 |
| 28 | I30S-404-B | Pulse Cylinder | 1 | 74 | I100-506 | Spring | 1 |
| 29 | 00-3436 | Pin | 1 | 75 | IS40-502 | F/R Valve | 1 |
| 30 | IS40S-421 | Pressure Valve | 2 | 76 | I40-501 | Valve Sleeve | 1 |
| 31 | I40S-453 | Spring | 1 | 77 | 00-41111 | O-Ring | 2 |
| 32 | I40S-454 | Block Cap | 1 | 78 | I40-601 | Muffler | 1 |
| 33 | 00-3407 | Pin | 2 | 79 | I40-603 | Exhaust Deflector | 1 |
| 34 | IS30S-415-C | Rear Plate | 1 | | I40-604A | Air Inlet 1/4"-19PF | |
| 35 | IS40-314 | Shut Off Stem | 1 | 80 | I40-604B | Air Inlet 1/4"-19PT | 1 |
| 36 | IS40S-317 | Spring | 1 | | I40-604C | Air Inlet 1/4"-18NPT | |
| 37 | I40S-423 | Washer | 1 | 81 | I100-511 | Pin | 1 |
| 38 | I30S-402 | Lock Nut | 1 | 82 | I40S-462 | Upper Pin | 1 |
| 39 | I40S-306 | Lock Nut | 1 | 83 | I40S-463 | Lower Pin | 1 |
| 40 | 00-2348 | Ball Bearing | 1 | 84 | I40S-464 | Spring | 1 |
| 41 | 00-3324 | Spring Pin | 1 | 85GA | I60-103 | Housing Rubber | 1 |
| 42 | I40-302 | Cylinder | 1 | 86GB | I80-422 | Back Up Ring | 1 |
| 43 | 00-3356 | Spring Pin | 2 | ※ | I40-109 | Tool Cover | 1 |
| 44 | I40S-303 | Rotor | 1 | ※ | IS30RK | Repair kit :Index No-7(3); 9(2); 11; 12; 22(2) | |
| 45 | I40S-304 | Rotor Blade | 9 | ※ | IS30SK | Service kit :Index No-15;16;20(2);21(2); 34; 45(9); 55; 71; 72; 73 | |
| 46 | I40-305 | Rear Plate | 1 | ※ | | | |
| 47 | 00-2356 | Ball Bearing | 1 | | | | |
| 48 | 00-41144 | O-Ring | 2 | | | | |
| 49 | 00-41135 | O-Ring | 1 | ※ | I40-451 | Impulse Oil | |

★Pulse unit includes: Index No : 5,6,7,8,9,10,11,12,13GB,14,15,16,20,21,22,23,24,25,26,27,28,29,30,31,32,33,34,38,86GB