

LEGEND: ( ) = QUANTITY/TOOL  
 \* = QUANTITY/MULTI-PAK

857007 - CARTON  
 857330 - INSTRUCTIONS

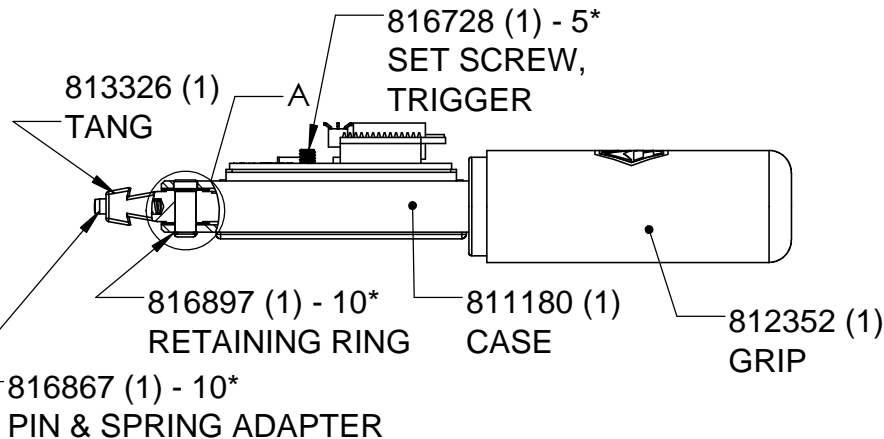
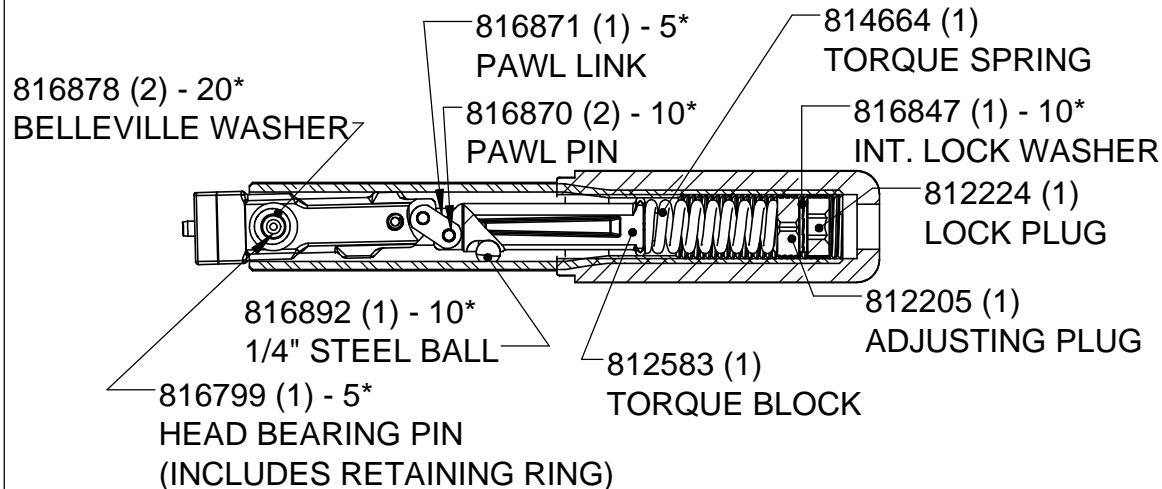
10615 (1)  
 RADIO KIT 2.4GHZ; AAA FOR SLTC-FM WRENCHES  
 (INCLUDES AAA BATTERY HOUSING UPPER &  
 LOWER COVERS, BATTERY HOUSING LID, RADIO  
 2.4GHZ AAA, RUBBER WASHERS (4), SCREW PAN  
 HEAD (2), LITEPIPE & SPRING CLIP, PCB  
 INSULATION, SLTC LABEL, & AAA BATTERY)

NOTES:

- TIGHTEN TO 1.5-2.5 IN. LBS. AND APPLY A DROP OF ADHESIVE (PERMA-LOK MM115 OR LOCTITE 262) TO SET SCREW (890105) PRIOR TO ASSEMBLY INTO TANG (813326).

**WARNING:** USE ONLY 1.5 VDC ALKALINE OR 1.2 VDC NiMH AAA RECHARGEABLE BATTERIES. OTHER BATTERIES CAN CAUSE DAMAGE TO THE BOARD AND IMPACT RADIO SIGNAL.

816799 - THIS PIN IS FORMED OVER **CUSTOMER MUST** GRIND OFF FORMED END & INSTALL THIS PIN FORMING THE HEAD OVER THE RETAINING RING AS SHOWN.



DETAIL A  
 SCALE 2 : 1.5  
 DEFORM BEFORE  
 CALIBRATION

