



Parts for Motor Case

No.	Name of Parts	Per Set	Parts No.
1	Motor Case Assy.	1set	0167 0011 01 99
	(a) Motor Case	1	0167 0011 00 00
	(b) Spring Pin (6x10)	1	9250 1082 00 00
	(c) Hose Joint	1	0141 0113 00 00
	(d) Exhaust Cover	1	0141 0016 00 00
	(e) O - Ring (N20)	1	9010 4010 00 00
	(f) O - Ring (N15)	1	9010 4008 00 00
	(g) Silencer Sheet(A)	1	0141 0032 00 01
	(h) Silencer Sheet(B)	1	0141 0032 00 02
	Throttle Bushing Assy.	1set	0167 0104 00 99
	(i) Throttle Bushing	1	*
	(j) O - Ring (N16)	1	9010 4009 00 00
	Throttle Rod Bushing Assy.	1set	0167 0105 00 99
	(k) Throttle Rod Bushing	1	*
	(l) O - Ring (P6)	1	9010 1049 00 00
	Throttle Rod Assy.	1set	0167 0106 00 99
	(m) Throttle Rod	1	*
	(n) O - Ring (N3)	1	9010 4051 00 00
	(o) Snap Ring (ETW-2.6)	1	9040 5008 00 00
	(p) Reverse Valve	1	0167 0005 00 00
	(q) Spring (3x4)	1	8020 1246 00 00
	(r) Ball (1/8)	1	9150 3009 00 00
	(s) Reverse Lever	1	2315 0007 00 00
	(t) Spring Pin (2x12)	1	9250 1015 00 00
	(u) Throttle Knob	1	0094 0153 00 00
	(v) Spring Pin (1.5x14)	1	9250 1005 00 00
	(w) AA Pin (3x23.8)	1	8051 3041 00 00
	(x) Hex. Oil Plug (F81/Rx6)	1	8230 2002 00 00
2	O - Ring (N46)	2	9010 4032 00 00
3	Rubber Grip	1	0141 0144 00 00
4	Upper Plate Assy.	1set	0147 0303 00 99
	(a) Upper Plate	1	0147 0303 00 00
	(b) Ball Bearing (6901ZZ)	1	9100 5026 00 00
	(c) AA Pin (2x6.6)	1	8051 3017 00 00
5	Cylinder Assy.	1set	0141 0304 01 99
	(a) Cylinder	1	*
	(b) Pin (2.5x6)	2	8055 1053 00 00
6	Rotor	1	0167 0305 00 00
7	Vane	9	0141 0306 01 00
8	Lower Plate Assy.	1set	0141 0307 01 99
	(a) Lower Plate	1	0141 0307 01 00
	(b) Ball Bearing (6902)	1	9100 1036 00 00
9	Motor Case Cover Assy.	1set	0167 0001 00 99
	(a) Motor Case Cover	1	0167 0001 00 00
	(b) Spring (20.5x12)	1	8020 1262 00 00
	(c) Spring (20.5x15)	1	8020 1261 00 00

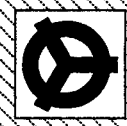
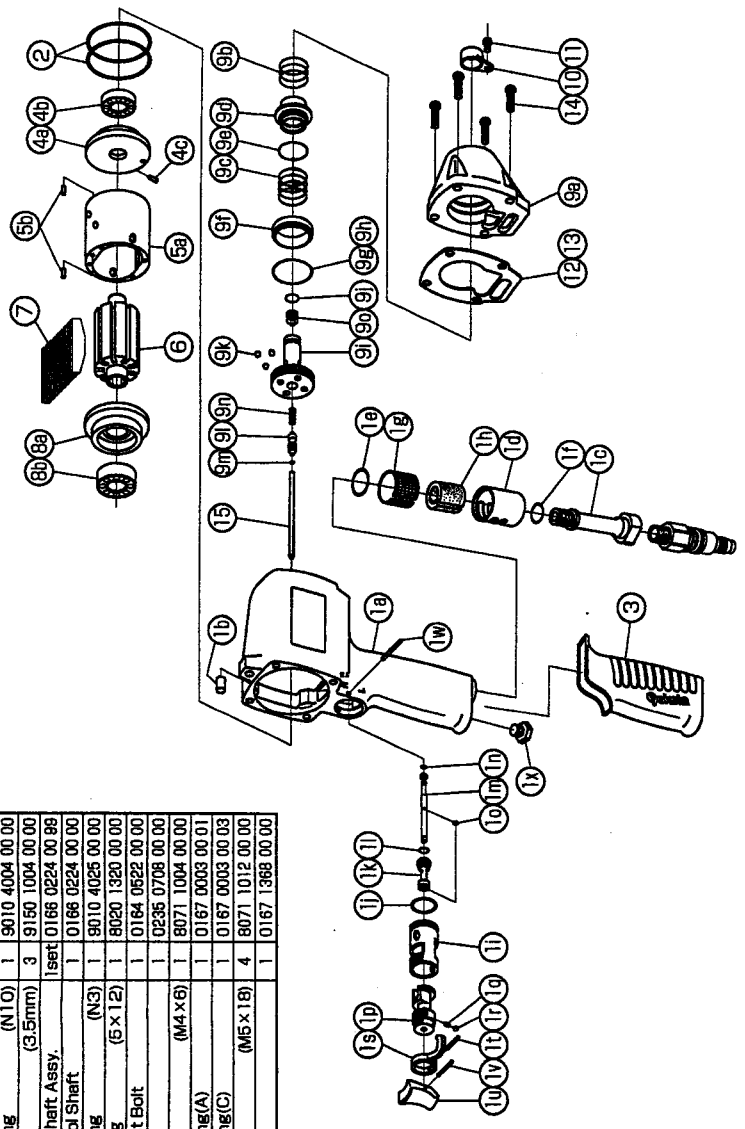
The part "*" can not be supplied individually. So please order it as a unit of assembly shown by arrow mark (↑).
 ★ marked parts may be not used, in some case.
 ☆ marked parts; use one of them.

016701-P0008

IMPULSE WRENCH

MODEL (YES.No.)	TOOL No.
Y-T90E (01)	0167 0000 0109
Y-T90 (01)	0167 0000 0100

Exploded View of Motor Case



YOKOTA EUROPA BV

P.O. BOX 392 NL-1000 AJ AMSTERDAM, PHONE: 020-5318800, FAX: 020-5318808
 Hydraulic Impact Wrenches, Impact Wrenches, Drill, Grinders, Screw Drivers, Chisels, Scales, Pumps

Parts for Liner Case

No.	Name of Parts	Per Set	Parts No.
16	Liner Case	1	0167 0422 00 00
17	O - Ring (N42)	2	9010 4018 00 00
18	Liner Cap	1	0167 0423 00 00
19	Liner Upper Plate	1	0167 0424 00 00
20	Sensor Assy.	1set	0164 0794 00 99
	(a) Sensor	1	0164 0794 00 00
	(b) O - Ring (1.76x3x6.5)	1	9010 4027 00 00
	(c) Back-up Ring (3.2x8x1.5)	1	9080 2005 00 00
21	O - Ring (N36)	1	9010 4015 00 00
22	Liner Assy.	1set	0167 0425 00 99
	(a) Liner	1	*
	(b) AA-Pin (3x6)	4	8061 3094 00 00
	Relief Valve	1	0141 0246 00 00
23	Spring Guide(B) Assy.	1set	0077 0610 00 99
24	(a) Spring Guide(B)	1	0077 0610 00 02
	(b) O - Ring (N2)	1	9010 4001 00 00
25	Spring (3.9x1.6)	1	8020 1322 00 00
26	Spring Guide	1	0167 0610 00 00
27	Ball (4mm)	1	9150 1006 00 00
28	Check Valve Assy.	1set	0167 0251 00 99
	(a) Check Valve	1	0167 0251 00 00
	(b) O - Ring (N2)	1	9010 4001 00 00
	(c) O - Ring (0.7x2x3.4)	1	9010 8020 00 00
29 ¹	Main Shaft Assy. (E-type)	1set	0167 0614 00 99
30	Blade (4x32)	2	0141 0719 00 00
31	Liner Lower Plate Assy.	1set	0167 0426 00 99
32	(a) Liner Lower Plate	1	*
	(b) Screw (M3x14)	2	9490 2029 00 00
	(c) Nylon Bushing	2	0260 0431 00 00
	(d) Bushing	2	0260 0728 00 00
	(e) Spring Pin (3x6)	1	9260 2001 00 00
33	Oil Plug (M4)	1	0048 0010 00 00
34	Washer (6.5x8.5x1.1)	1	8040 1073 00 00
35	O - Ring (N4)	1	9010 4021 00 00
36	X - Ring (R16)	1	9810 1001 00 00
37	Back-up Ring (16x20x1.5)	1	9090 1012 00 00
38	O - Ring (N5)	2	9010 4033 00 00
*39	Washer (16.5x22x0.3)	1	8041 5038 00 00
*40	Washer (16.5x22x0.5)	1	8041 5039 00 00
*41	ST-Packing (17.5x21.5x0.2)	1	8011 1062 00 00
*42	ST-Packing (17.5x21.5x0.3)	1	8011 1063 00 00

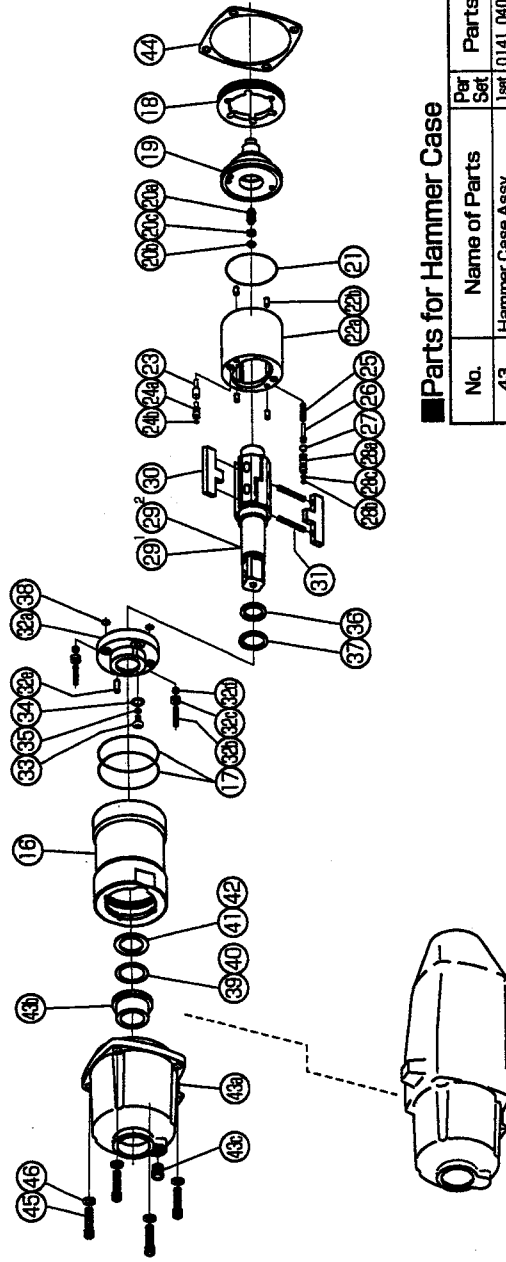
The part "*" can not be supplied individually.
So please order it as a unit of assembly shown by arrow mark (↑).

*marked parts; use one of them.

IMPULSE WRENCH

MODEL (YES.No.)	TOOL No.
Y-T90E (01)	0167 0000 0109
Y-T90 (01)	0167 0000 0100

Exploded View of Liner Case and Hammer Case



Parts for Hammer Case

No.	Name of Parts	Per Set	Parts No.
43	Hammer Case Assy.	1set	0141 0401 01 99
	(a) Hammer Case	1	0141 0401 01 00
	(b) Main Shaft Bushing	1	0141 0612 00 00
	(c) Socket Plug	1	8210 6001 00 00
44	S-Packing(B)	1	0141 0003 01 02
45	Screw (M5x1.8)	4	8070 3062 00 00
46	Spring Washer (M5)	4	9200 3005 00 00
29 ¹	Parts for Y-T90		
	Main Shaft	1	0167 0614 00 01
	Standard Accessories		
	Swivel Joint	1	9690 0015 00 00
	Hex. Wrench (H1.5x65x08)	1	9810 1012 00 00
	Hex. Wrench (H5)	1	9810 1006 00 00
	Protector	1	0167 0023 00 00

The part "*" can not be supplied individually.
So please order it as a unit of assembly shown by arrow mark (↑).

YOKOTA EUROPA BV

P.O. BOX 392 NL-1000 A.J. AMSTERDAM PHONE 020-5318800 FAX 020-5318806
Hydraulic Impulse Wrenches, Impact Wrenches, Drills, Grinders, Saws, Drivers, Chippers, Spliers, Pumps

