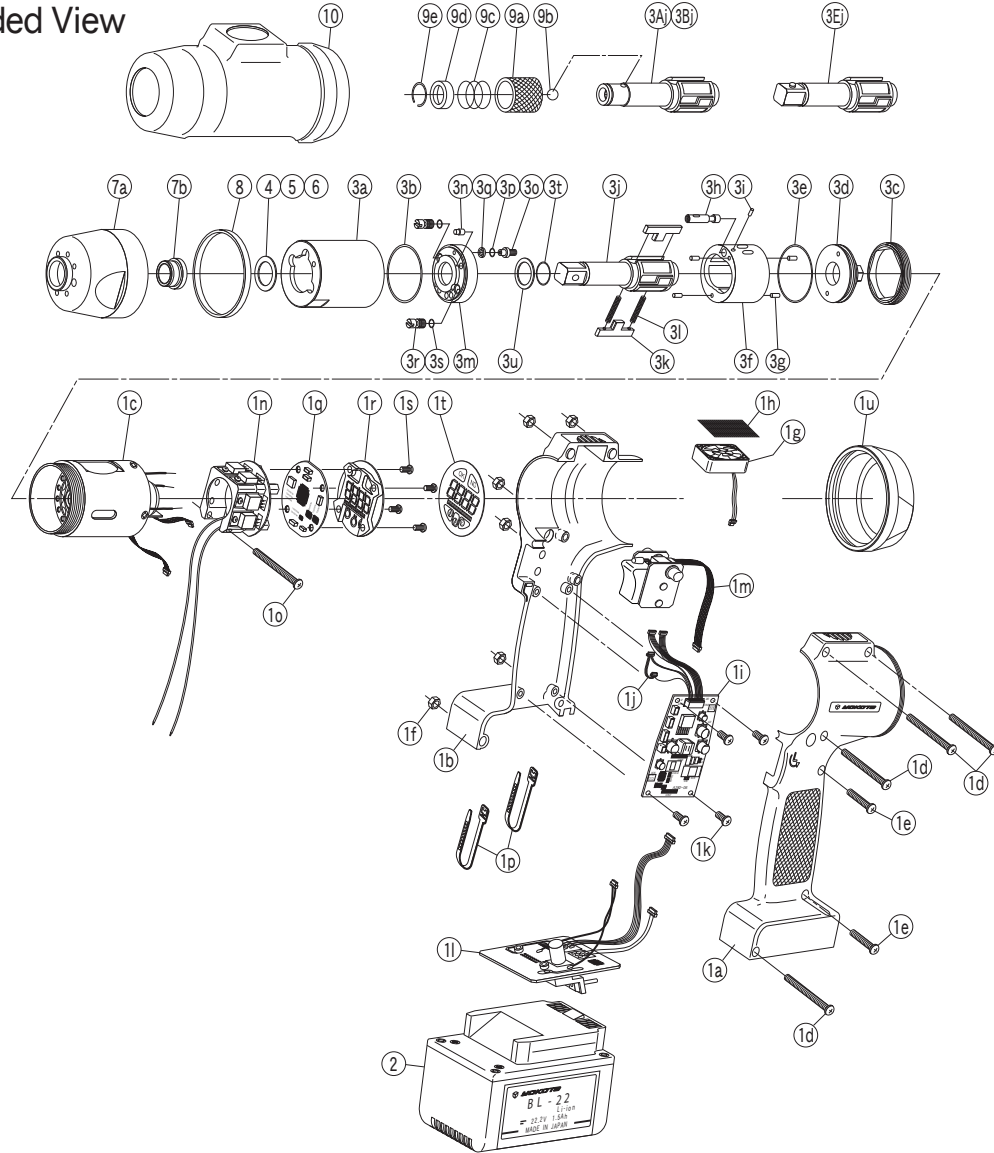


CORDLESS IMPULSE WRENCHES

MODEL (YES.No.)	TOOL No.
YBX-800T (02)	0352 0000 0200
YBX-800TA (02)	0352 0000 0201
YBX-800TB (02)	0352 0000 0202
YBX-800TE (02)	0352 0000 0209

Exploded View



Parts List

No.	Name of Parts	Per Set	Parts No.	No.	Name of Parts	Per Set	Parts No.
1	Motor Case Assy.	1set	0352 0011 02 99	7	Hammer Case Assy.	1set	0351 0401 00 99
	Motor Case Assy. 1	1set	0352 0011 02 69		(a) Hammer Case	1	0351 0401 00 00
	(a) Motor Case (A) L	1	※ ↑		(b) Main Shaft Bushing	1	0259 0612 00 00
	(b) Motor Case (A) R	1	※ ↑	8	Washer (48.5×51.5×4)	1	8040 1171 00 00
	(c) Motor Assy.	1set	※ ↑		Parts for YBX-800TA · YBX-800TB		
	(d) Screw (M3×25)	4	9410 2042 00 00	3A	Liner Case Assy.	1set	0352 0422 00 98
	(e) Screw (M3×12)	2	9410 2043 00 00	(j) Main Shaft (A-type)	1	0191 0614 01 51	
	(f) Hex Nut (M3)	6	9500 1041 00 00	3B	Liner Case Assy.	1set	0352 0422 00 97
	(g) Fan (F310RF-12LB)	1	8542 8003 00 00	(j) Main Shaft (B-type)	1	0191 0614 01 52	
	(h) Silencer Sheet	1	0351 0032 00 00	9	Bit Chuck Assy.	1set	2057 0414 00 99
	(i) Power Supply Substrate	1	0351 0195 01 00		(a) Bit Chuck	1	2057 0414 00 00
	(j) Harness A	1	0351 0208 00 01		(b) Ball (1/8)	1	9150 3009 00 00
	(k) Screw (M3×6)	4	9540 1015 00 00		(c) Spring (13.5×10)	1	8020 1340 00 00
	(l) Connector substrate	1	0351 0209 02 00		(d) Spring Washer	1	2331 0419 00 00
	(m) Throttle Assy.	1set	0351 0186 01 99	(e) Retaining Ring (10×1)	1	8030 1009 00 00	
	(n) Driver substrate Assy.	1set	0352 0197 02 99	Parts for YBX-800TE			
	(o) Screw (M3×25)	1	9410 2042 00 00	3E	Liner Case Assy.	1set	0352 0422 00 95
(p) Unity Strap	2	9790 1008 00 00	(j) Main Shaft Assy.(E-type)	1set	0191 0614 00 98		
(q) Display Operation Substrate	1	0352 0196 01 00	Standard Accessories				
(r) LED Mask Plate	1	0351 0218 00 00	10	Protector	1	0352 0029 00 00	
(s) Screw (M3×8)	4	9440 2002 00 00		Hex. Wrench (H1.5×65×65)	1	9610 1012 00 00	
(t) Panel Sheet	1	0351 0217 00 00					
(u) Motor Case Cover	1	0351 0001 00 00					
2	Battery Assy.	1set	0351 1521 01 99				
3	Liner Case Assy.	1set	0352 0422 01 99				
	(a) Liner Case	1	0191 0422 01 00				
	(b) O - Ring (1×28.2×30.2)	1	9010 6036 00 00				
	(c) Liner Cap	1	0186 0423 00 00				
	(d) Liner Upper Plate	1	0186 0424 00 00				
	(e) O - Ring (JASO 1026)	1	9011 3003 00 00				
	Liner Assy.	1set	0193 0425 00 99				
	(f) Liner	1	※ ↑				
	(g) Pin FF	4	8052 1041 00 00				
	(h) Relief Valve	1	0352 0245 00 00				
	(i) Pin (1.5×4)	1	8051 1314 00 00				
	(j) Main Shaft	1	0191 0614 03 01				
	(k) Blade	2	0352 0719 00 00				
	(l) Spring (3.1×20)	2	8020 1296 00 00				
	Liner Lower Plate Assy.	1set	0189 0426 01 99				
	(m) Liner Lower Plate	1	0189 0426 00 00				
	(n) Dowel Pin	1	0188 0308 00 00				
(o) Adjust Bolt	1	0188 0522 00 00					
(p) O - Ring (N2)	1	9010 4001 00 00					
(q) Back-up Ring (3.2×5×1)	1	9090 1028 00 00					
(r) Oil Plug	2	0181 0010 00 00					
(s) O - Ring (N2)	2	9010 4001 00 00					
(t) O - Ring (P12)	1	9011 7001 00 00					
(u) Back-up Ring (12×16×0.8)	1	9090 1010 00 00					
4 *	Washer (12.5×18×0.3)	1	8041 5034 00 00				
5 *	Washer (12.5×18×0.5)	1	8041 5011 00 00				
6 *	Washer (12.5×18×1)	1	8041 5021 00 00				

The part "※" can not be supplied individually.

So please order it as a unit of assembly shown by arrow mark (↑).

☆ marked parts; use one of them.



YOKOTA EUROPA BV

De Ruijterkade 120, 1011AB Amsterdam, Netherlands. PHONE 020-5318800 FAX 020-5318808
e-mail info@impulsetools.com http://www.impulsetools.com

Hydraulic Impulse Wrenches, Impact Wrenches, Drills, Grinders, Screw Drivers, Chippers, Scalars, Pumps.