



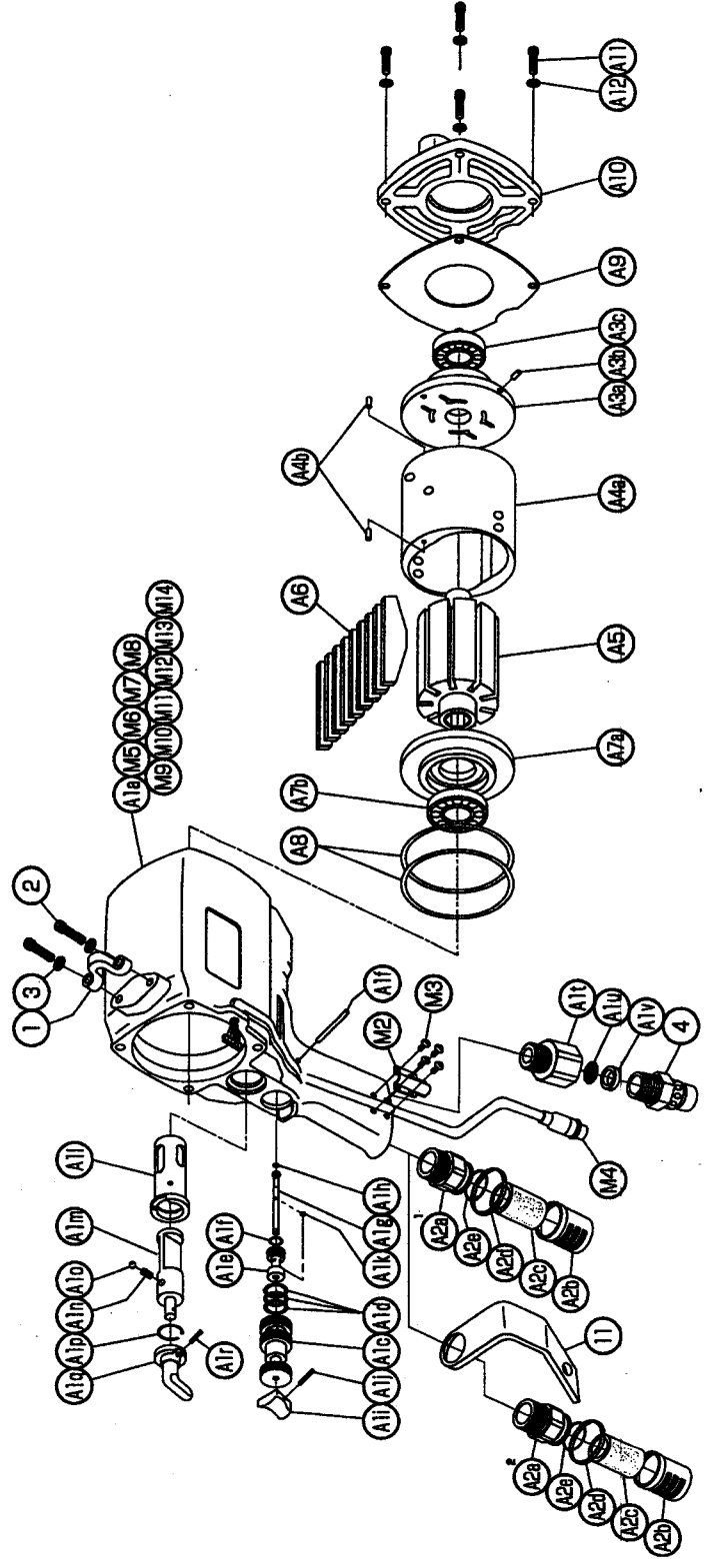
Parts for Motor Case

No.	Name of Parts	Per Set	Parts No.
M	Motor Case Assy.	1set	0408 0011 01 98
M1	Motor Case (A) Assy.	1set	0409 0011 01 98
A1	Motor Case (B) Assy.	1set	0409 0011 01 97
	(a) Motor Case	1	0409 0011 01 00
	(b) B Pin (3x30)	1	8410 1032 00 00
	Throttle Bushing Assy.	1set	0409 0104 00 98
	(c) Throttle Bushing	1	*
	(d) O - Ring (N16)	3	9010 4009 00 00
	Throttle Rod Bushing Assy.	1set	0409 0105 00 98
	(e) Throttle Rod Bushing	1	*
	(f) O - Ring (P9)	1	9010 1051 00 00
	Throttle Rod Assy.	1set	3038 0108 00 99
	(g) Throttle Rod	1	*
	(h) O - Ring (N2)	1	9010 4001 00 00
	(i) Throttle Knob	1	2024 0153 00 00
	(j) Spring Pin (1.5x14)	1	9250 1005 00 00
	(k) Snap Ring (ETW-2.8)	1	9040 5008 00 00
	(l) Reverse Bushing	1	0409 0004 00 00
	(m) Reverse Valve	1	0409 0005 00 00
	(n) Spring (4x6)	1	8020 1022 00 00
	(o) Ball (4mm)	1	9150 1005 00 00
	(p) Snap Ring (RTW-1.7)	1	9040 3006 00 00
	(q) Reverse Lever	1	0722 0007 00 00
	(r) Spring Pin (2x12)	1	9250 1015 00 00
	(s) Spring Pin (2x5)	1	9250 1010 00 00
	Hose Joint	1set	0409 0113 00 99
	(t) Hose Joint Assy.	1	*
	(u) Strainer	1	*
	(v) Washer (11x16x4)	1	*
A2	Silencer Assy.	1set	0409 0053 01 99
	(a) Silencer Body (A)	1	0409 0053 00 01
	(b) Silencer Cover	1	0409 0081 00 00
	(c) Silencer Sheet	1	0722 0032 00 00
	(d) Joint Ring	1	1105 0116 00 00
	(e) O - Ring (N20)	1	9010 4010 00 00
A3	Upper Plate Assy.	1set	0409 0303 01 99
	(a) Upper Plate	1	0409 0303 01 00
	(b) Pin (3x6)	1	8055 1064 00 00
	(c) Ball Bearing (6003CM)	1	9102 1008 00 00
A4	Cylinder Assy.	1set	0409 0304 01 99
	(a) Cylinder	1	*
	(b) Pin (3x6)	2	8055 1064 00 00
A5	Rotor	1	0409 0305 00 00
A6	Vane	9	0409 0306 00 00
A7	Lower Plate Assy.	1set	0409 0307 01 99
	(a) Lower Plate	1	0409 0307 01 00
	(b) Ball Bearing (6905CM)	1	9102 1007 00 00
	(c) O - Ring (AN6230-1.2)	2	9010 7002 00 00
A9	S - Packing (A)	1	0409 0003 01 01
A10	Motor Case Cover	1	0409 0001 01 00
A11	Boat with Hex. Hole (M6x18)	4	8070 3033 00 00
A12	Spring Washer (M6)	4	9200 3006 00 00

The part "*" can not be supplied individually. So please order it as a unit of assembly shown by arrow mark (↑).

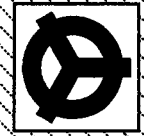
No.	Name of Parts	Per Set	Parts No.
M2	Cord Cover	1	0280 0948 00 00
M3	Screw (M3x5)	4	9400 2019 00 00
M4	Cable Assy.	1set	0148 0902 00 99
M5	Shrinkage Tube (NPE 10-5-1)	1	9380 5018 00 00
M6	Shrinkage Tube (φ3x15)	1	9380 5007 00 00
M7	Shrinkage Tube (φ1.5x10)	4	9380 5008 00 00
M8	Micro Connector (PM-10)	1	8500 2001 00 00
M9	Shrinkage Tube (φ5x20)	1	9380 5009 00 00
M10	Socket Contact (170205-1)	2	8480 1001 00 00
M11	Socket Housing (171822-2)	1	8470 1001 00 00
M12	Buzzer Basic Assy.	1	0234 0798 00 98
M13	O - Ring (P20)	1	9010 1017 00 00
M14	Snap Ring (RTW-24)	1	9040 1014 00 00
1	Hangar	1	0508 0017 00 00
2	Bolt with Hex. Hole (M6x18)	2	8070 3033 00 00
3	Spring Washer (M6)	2	9200 3006 00 00
4	Touch Joint (1/2)	1	9690 0016 00 00

Exploded View of Motor Case



With built - in torque sensor
2 BLADE·SYSTEM WRENCH

MODEL (YES.No.)	TOOL No.
YED-200 (01)	0409 0000 0100
YED-200-G (01)	0409 0000 0111



YOKOTA EUROPA BV

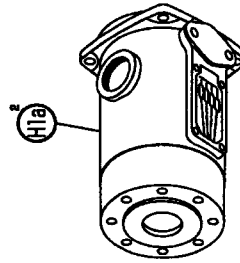
P.O. BOX 392-NL-1000 AJ AMSTERDAM · PHONE 020-5318800 · FAX 020-5318808
 e-mail: info@impulsetools.com · http://www.impulsetools.com
 Hydraulic: Impulse, Wrenches, Impact, Wrenches, Drills, Grinders, Screw Drivers, Chisels, Scales, Pumps.



Parts for Liner Case

No.	Name of Parts	Per Set	Parts No.
L	Liner Case Assy.	1set	0409 0422 01 99
L1	Liner Case	1	0409 0422 01 00
L2	O - Ring (N63)	2	9010 4038 00 00
L3	Liner Cap	1	0405 0423 00 00
L4	Liner Upper Plate	1	0405 0424 01 00
L5	O - Ring (N56)	1	9010 4037 00 00
L6	Liner Assy.	1set	0405 0425 03 99
	(a) Liner	1	* 1
	(b) Pin (4.5 x 7.5)	2	8051 1175 00 00
	(c) Pin (5 x 7)	2	8051 1182 00 00
L7	Relief Valve	1	0405 0245 00 00
L8	Spring Guide (B) Assy.	1set	0405 0510 00 99
	(a) Spring Guide (B)	1	* 1
	(b) O - Ring (P-3)	1	9010 1001 00 00
L9	Liner Shaft	1	0409 0796 01 00
L10	Blade	2	0405 0719 01 00
L11	Spring (4.6 x 57)	2	8020 1327 00 00
L12	Spring (3.2 x 57)	2	8020 1328 00 00
L13	Liner Lower Plate (A) Assy.	1set	0407 0426 04 99
	(a) Liner Lower Plate	1	* 1
	(b) Nylon Bushing	1	* 1
	(c) Bushing	1	* 1
	(d) Adjust Bolt	1	* 1
	(e) Spring Pin (5 x 6)	1	* 1
L14	Bolt with Hex. Hole (M5 x 6)	1	8071 1011 00 00
L15	Washer (7.5 x 9.5 x 1.2)	1	8040 1127 00 00
L16	O - Ring (N5)	1	9010 4033 00 00
L17	O - Ring (JASO 2025)	1	9011 3002 00 00
L18	Back-up Ring (25 x 29 x 1)	1	9080 1008 00 00
L19	O - Ring (N8)	2	9010 4028 00 00
5	S - Packing (B)	1	0405 0003 00 02

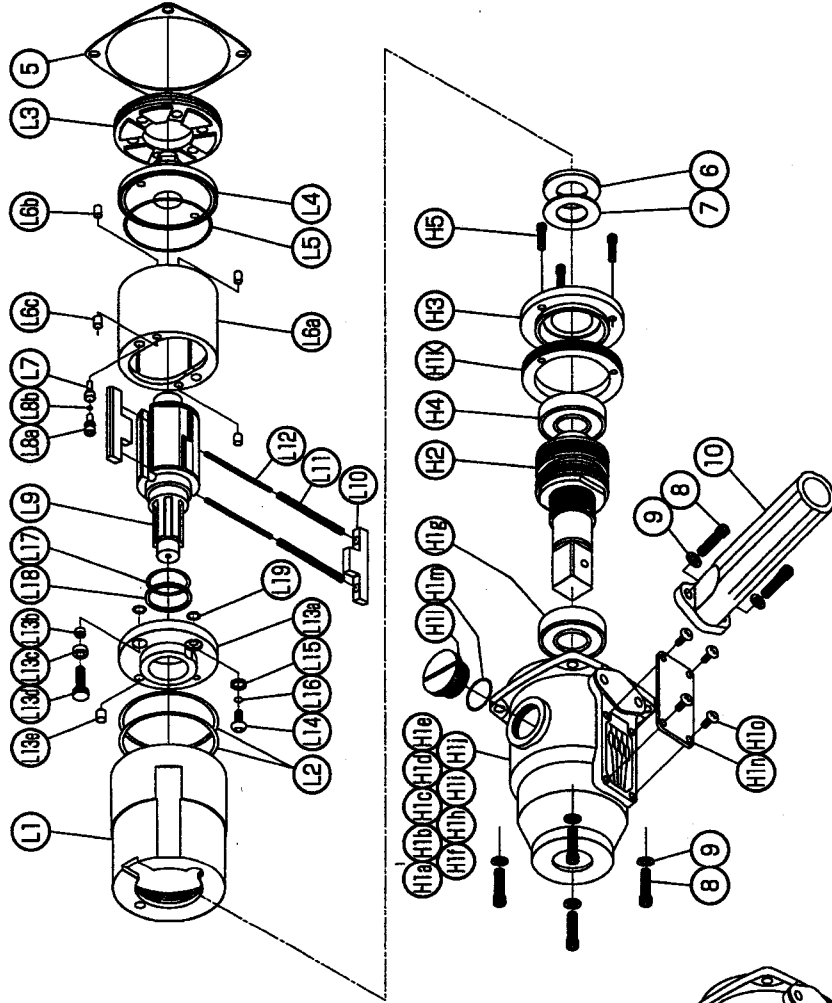
The part "*" can not be supplied individually.
So please order it as a unit of assembly shown by arrow mark (↑).



With built - in torque sensor
2 BLADE SYSTEM WRENCH

MODEL (YES.No.)	TOOL No.
YED-200 (01)	0409 0000 0100
YED-200-G (01)	0409 0000 0111

Exploded View of Liner Case and Hammer Case

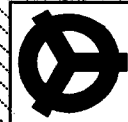


Parts for Hammer Case

No.	Name of Parts	Per Set	Parts No.
H ¹	Hammer Case Assy.	1set	0407 0401 00 99
H1 ¹	Hammer Case (A) Assy.	1	0407 0401 00 98
	(a) Hammer Case	1	* 1
	(b) Core (A) Assy.	1set	* 1
	(c) Core (B)	1	* 1
	(d) Spacer (A)	1	* 1
	(e) Core (C)	1	* 1
	(f) Core (D) Assy.	1set	* 1
	(g) Ball Bearing (6905ZZ)	1	* 1
	(h) Stopper Screw w/ Hex. Hole (M4x8)	1	* 1
	(i) Shrinkage Tube (φ 1.5 x 9)	4	* 1
	(j) Micro Connector (OX-202)	4	* 1
	(k) Rock Nut (B)	1	* 1
	(l) Regulator Cap	1	0407 0204 00 00
	(m) O - Ring (N22)	1	9010 4011 00 00
	(n) Cover Plate	1	0407 0014 00 00
	(o) Screw with Cross. Hole (M4x8)	4	9410 2004 00 00
H2	Main Shaft Assy.	1set	0407 0614 00 99
H3	Bearing Case	1	0407 0650 00 00
H4	Ball Bearing (6905ZZ)	1	9100 5013 00 00
H5	Bolt with Hex. Hole (M4 x 10)	3	8070 3007 00 00
6	Spacer	1	0407 0119 00 00
7	Washer (19.5 x 9.6 x 0.5)	1	8041 6032 00 00
8	Bolt with Hex. Hole (M6 x 18)	6	8070 3039 00 00
9	Spring Washer (M6)	6	9200 3006 00 00
10	S - Handle	1	0508 0411 00 00
Parts for YED-200-G			
H ²	Hammer Case Assy.	1set	0407 0401 00 35
H1 ²	Hammer Case (A) Assy.	1set	0407 0401 00 34
Standard Accessories			
	TF Pin (2 x 90)	1	8051 6001 00 00
	Protector	1	0409 0029 00 00
Original Parts for Hanging Elbow			
A2 ²	Silencer Assy.	1	0409 0053 00 98
	(a) Silencer Body (B)	1	0409 0053 00 02
	(b) Silencer Cover	1	0409 0081 00 00
	(c) Silencer Sheet	1	0722 0032 00 00
	(d) Joint Ring	1	1105 0116 00 00
	(e) O - Ring (N20)	1	9010 4010 00 00
11	Hanging Elbow	1	0409 0017 00 00

The part "*" can not be supplied individually.
So please order it as a unit of assembly shown by arrow mark (↑).

YOKOTA EUROPA BV



P.O. BOX 392 NL-1000 AJ AMSTERDAM PHONE 020-5318800 FAX 020-5318808
e-mail: info@impulsetools.com http://www.impulsetools.com
Hydraulic Impactors, Wrenches, Impact Wrenches, Drills, Grinders, Screw Drivers, Chisels, Sockets, Pumps.