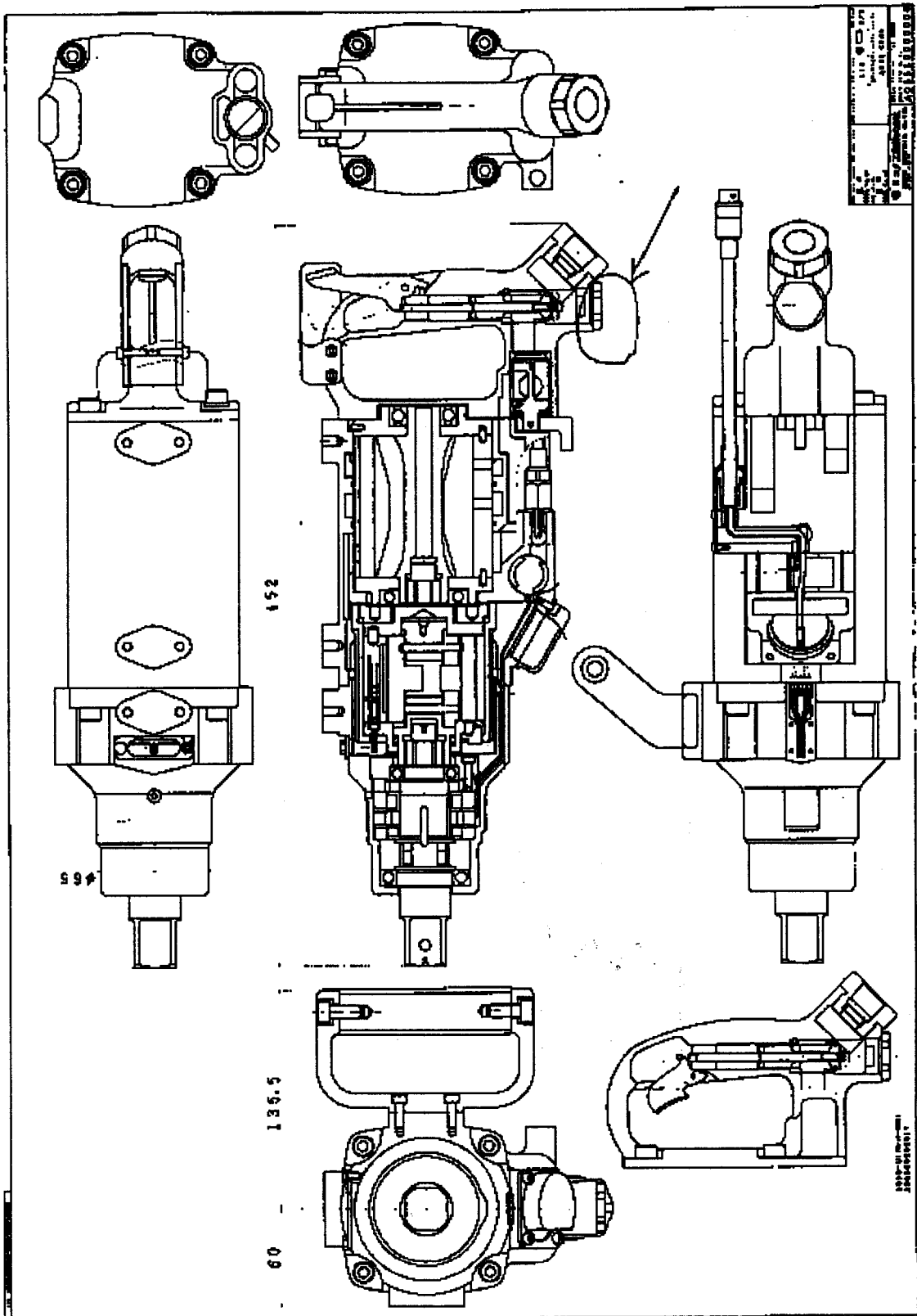


YED-240 S'



Parts lists for YED-240S

Name	size	Q'ty	Part no.
Motor case cp		1	
Motor case cp1		1	
Handle cp		1	
Handle A		1	
Throttle bushing B		1	
Throttle bushing Acp		1	
Throttle bushing A		1	
O-ring	N16	1	9010 4009 0000
Pin	3x26		
Throttle bushing CP		1	
Throttle bushing		1	
O-ring	P12.5	1	9010 1052 0000
Throttle rod cp		1	
Throttle rod		1	
O-ring	N4	1	9010 4021 0000
Snap ring	ETW-3	1	9040 5001 0000
Spring		1	
Throttle cap cp		1	
Throttle cap		1	
O-ring	N20	1	9010 4010 0000
Reverse bushing		1	
Reverse valve		1	
Spring	3x4	1	8020 1246 0000
Ball 1/8		1	9150 3009 0000
O-ring	N18	1	9010 4023 0000
Washer	16x22x1	1	
Snap ring	RTW-22	1	9040 1013 0000
Reverse lever		1	
Spring pin	3x16	1	9250 1050 0000
Hose joint cp		1	
Hose joint		1	
Washer	13.5x16x4	1	
Strainer		1	
Throttle lever (outside)		1	
Pin	4x26	2	8051 1151 0000
Lever guard		1	
Hex.socket bolt	M4x15	4	8070 3009 0000
S Packing A		1	
Hex.socket bolt	M8x25	4	8070 3044 0000
Spring washer	M8	4	9200 3008 0000
Motor case		1	
Motor cp		1	
Upper plate cp		1	
Upper plate		1	
Pin	3x8	1	8055 1065 0000
Ball bearing	6004	1	9100 1019 0000
Cylinder cp		1	
Cylinder		1	
Pin	3x8	2	8055 1065 0000
Rotor		1	
Vane		9	
Lower plate cp		1	

Lower plate		1			
Ball bearing	16006	1	9100	1071	0000
O-ring	N85	2	9010	4053	0000
Holder		1	0168	0717	0000
Cable cp		1	0407	0902	0099
Connector	R05-JB8M	1	8450	3002	0000
Cable		1	8520	8005	0000
Shrink tube	W3B2 16/4 35mm	1	9380	5014	0000
O-ring	P8	3	9010	1048	0000
Washer	7.3x11.1x1.5	2	8040	1151	0000
Lock bolt		1	0270	0666	0000
Shrink tube	W3B2 16/4 35mm	1	9380	5014	0000
Shrink tube	dia.3x15	1	9380	5007	0000
Shrink tube	dia.1.5x10	4	9380	5008	0000
Micro connector	PM-10	1	8500	2001	0000
Shrink tube	dia.3.5x8	1	9380	5016	0000
Micro connector	PM-50	1	8500	2003	0000
Buzzer board cp		1	0146	0798	0098
Buzzer		1	8440	1001	0000
Print board A		1	0127	0798	0001
Micro connector	PM-10	1	8500	2002	0000
O-ring	P20	1	9010	1017	0000
Cap		1			
Snap ring	RTW-24	2	9040	1014	0000
Cover		1	7653	0708	0000
Screw	M3x6	4	9410	2028	0000
Silencer body		1			
Silencer sheet A		1			
Silencer sheet B		1			
Hex.socket bolt	M4x8	4	8070	3005	0000
Hanger		1	0509	0017	0000
Hex.socket bolt	M6x20	2	8070	3034	0000
Spring washer	M6	2	9200	3006	0000
Touch joint		1	9690	0016	0000
Liner case cp		1			
Liner case		1			
Liner cap		1			
Liner upper plate		1			
O-ring	N70	2	9010	4054	0000
Liner cp		1			
Liner		1			
Pin	6x8	4	8051	1210	0000
Relief valve		1			
Pin	2x6	1	8051	1038	0000
Adjust bolt		1			
O-ring	N5	1	9010	4033	0000
Back-up ring	5x7x1	1			
Liner shaft A		1			
Blade		2			
Spring	5x60	2			
Liner lower plate cp		1			
Liner lower plate		1			
Spring pin	8x12	1	9250	2029	0000
Hex.socket button bolt	M5x8	1	8071	1011	0000

Washer	7.5x9.5x1.2	1	8040	1127	0000
O-ring	N5	1	9010	4033	0000
O-ring	P32	1	9010	1025	0000
Back-up ring	32x38x1.25	1	9090	1021	0000
Oil	ATF-DX,GRP	1			
S-Packing B		1			
Hammer case cp		1			
Hammer case cp1		1			
Hammer case		1			
Spring pin	2x4	1	9250	1122	0000
Core A cp		1	0407	0795	0098
Core A		1	0407	0795	0001
Coil A		1	0407	1512	0001
Core B		1	0407	0795	0002
Spacer A		1			
Core C		1	0407	0795	0003
Core D cp		1	0407	0795	0095
Core D		1	0407	0795	0004
Coil D		1	0407	1512	0004
Ball bearing	6907ZZ	1	9100	5022	0000
Hex.socket screw	M4x5	1	9480	1006	0000
Shrink tube	dia. 1.5x9	4	9380	5010	0000
Micro connector	OX-202	4	8500	4001	0000
Micro connector	PM-10	1	8500	2001	0000
Lock nut B		1	0407	0819	0002
Isolation sheet		1	0168	1525	0000
Cover plate A		1			
Screw	M3x6 P=0.5	4	9460	2001	0000
Cover plate B		1			
Hex.bolt	M4x6	1	8070	1051	0000
Washer	35x38x0.1	1	8040	1144	0000
Washer	35x38x0.2	1	8040	1145	0000
Mainshaft cp		1			
Mainshaft cp1		1			
Mainshaft cp2		1			
Mainshaft		1			
Straingauge		1	0127	0797	0000
Core E cp		1	0407	0795	0094
Core E		1	0407	0795	0005
Coil E		1	0407	1512	0005
Spacer B		1			
Core F cp		1	0407	0795	0093
Core F		1	0407	0795	0006
Coil F		1	0407	1512	0006
Lock nut A		1	0407	0819	0001
Thermistor	13	1	8540	8001	0000
Thermistor	16	1	8540	8003	0000
AA pin	2x19.8	1	8051	3024	0000
Resistor		1	8550	1001	0000
C-Packing	56x61.5x0.1	1	8010	1255	0000
C-Packing	56x61.5x0.2	1	8010	1217	0000
Bearing case		1			
Ball bearing	6905ZZ	1	9100	5013	0000
Hex.socket bolt	M4x15	3	8070	3009	0000
Washer	32.5x47x1	1			

Washer	32.5x47x1	1		
Hex.socket bolt	M8x25	4	8070 3044	0000
Spring washer	M8	4	9200 3008	0000
Dead handle A		1		
Dead handle B		1		
Hand grip		1		
Hex.socket bolt	M8x20	2	8070 3042	0000
Spring washer	M8	2	9200 3008	0000
Hex.socket bolt	M5x16	4	8070 3018	0000