

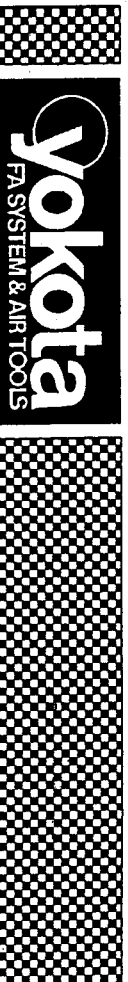
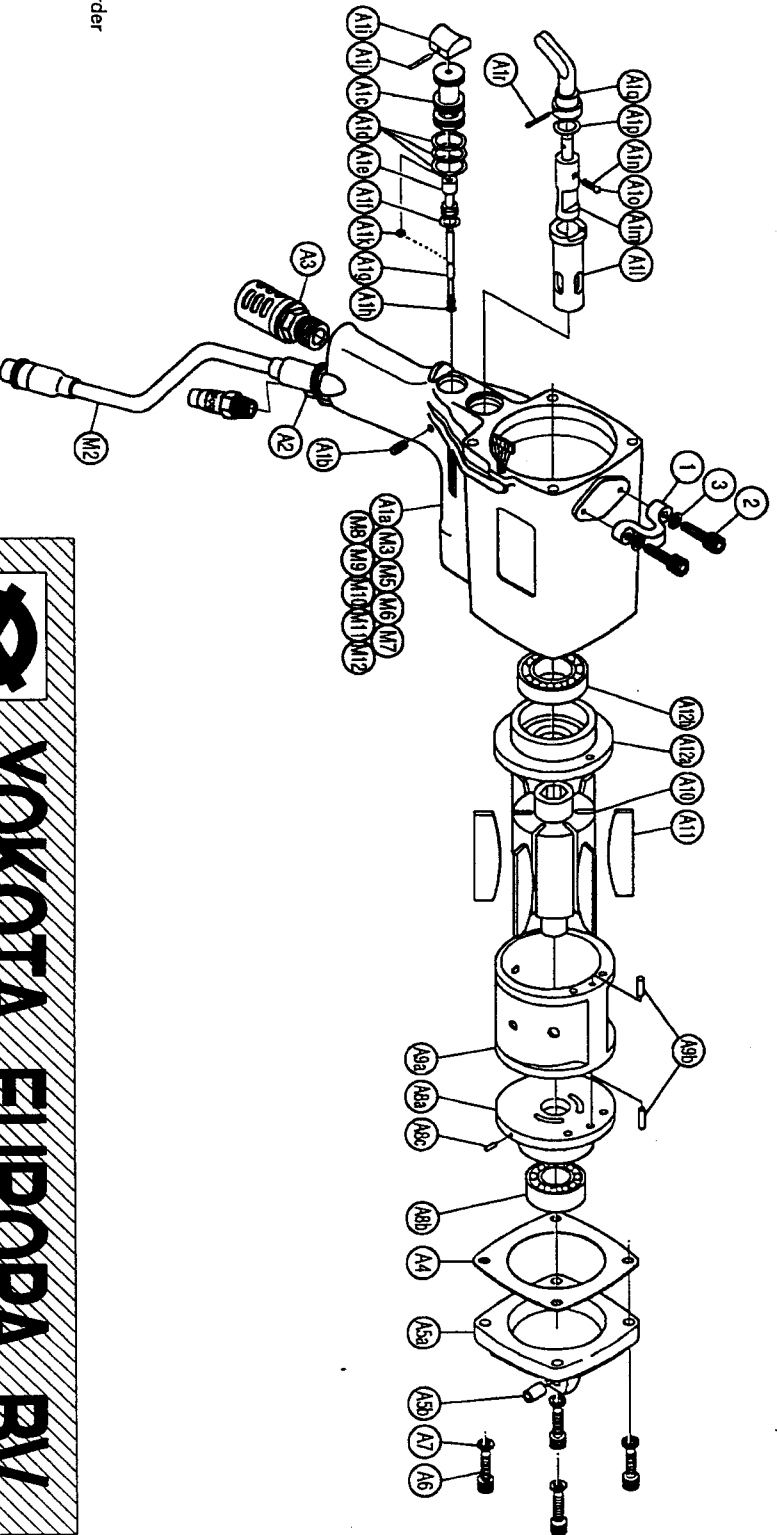
Parts for Motor Case

No.	Name of Parts	Per Set	Parts No.
M	Motor Case Assy.	1set	0407 0011 01 99
M1	Motor Case A Assy.	1set	0407 0011 00 98
M1	Motor Case B Assy.	1set	0407 0011 00 97
A1	(a) Motor Case	1	0407 0011 00 00
	(b) Screw (M5 x 8)	1	9480 1010 00 00
	Throttle Bushing Assy.	1set	0229 0104 00 99
	(c) Throttle Bushing	1	※
	(d) O Ring (M15)	3	9010 4008 00 00
	Throttle Rod Bushing Assy.	1set	0223 0105 00 99
	(e) Throttle Rod Bushing	1	※
	(f) O Ring (No.5)	1	9010 3022 00 00
	Throttle Rod Assy.	1set	0229 0106 00 99
	(g) Throttle Rod	1	※
	(h) O Ring (M2)	1	9010 4001 00 00
	(i) Throttle Knob (1.5 x 14)	1	2024 0153 00 00
	(j) Spring Pin (ETW-2.8)	1	9250 1005 00 00
	(k) Snap Ring (ETW-2.8)	1	9040 5008 00 00
	(l) Reverse Bushing	1	0229 0004 00 00
	(m) Reverse Valve (4 x 6)	1	0320 0005 00 00
	(n) Spring (4mm)	1	8020 1022 00 00
	(o) Ball (IRTW-14)	1	9150 1025 00 00
	(p) Snap Ring (IRTW-14)	1	9040 3004 00 00
	(q) Reverse Lever (3 x 14)	1	0046 0007 01 00
	(r) Spring Pin (M6 x 22)	1	9250 1049 00 00
A2	Hose Joint (PF3/8)	1	0078 0113 00 00
A3	Silencer Assy.	1set	0405 0053 01 99
A4	S-Packing A	1	0407 0003 00 01
A5	Motor Case Cover Assy.	1set	0407 0001 00 99
	(a) Motor Case Cover	1	※
A6	Hex. Socket Bolt (M6 x 12)	1	9250 1110 00 00
A7	Spring Washer (M6)	4	9200 3006 00 00
A8	Upper Plate Assy.	1set	0405 0303 01 99
	(a) Upper Plate (6003)	1	0405 0303 01 00
	(b) Ball Bearing (2.5 x 6)	1	9100 1018 00 00
	(c) Spring Pin (2.5 x 6)	1	9250 1030 00 00
A9	Cylinder Assy.	1set	0405 0304 00 99
	(a) Cylinder	1	※
	(b) Spring Pin (4 x 10)	2	9250 1066 00 00
A10	Rotor	1	0405 0305 00 00
A11	Vane	6	0405 0306 00 00
A12	Lower Plate Assy.	1set	0405 0307 01 99
	(a) Lower Plate (6905)	1	0405 0307 01 00
	(b) Ball Bearing	1	9100 1047 00 00

The part "※" can not be supplied individually. So please order it as a unit of assembly shown by arrow mark (↑).

No.	Name of Parts	Per Set	Parts No.
M2	Holder Assy.	1set	0407 0717 00 99
M3	Tube (φ 3 x 15)	1	9380 5007 00 00
M5	Tube (φ 1.6 x 10)	4	9380 5008 00 00
M6	Micro Connector (PM-10)	1	8500 2001 00 00
M7	Tube (φ 5 x 20)	1	9380 5009 00 00
M8	Socket Contact (170205-1)	2	8480 1001 00 00
M9	Socket Housing (171822-2)	1	8470 1001 00 00
M10	Buzzer Base Assy. (P20)	1set	0234 0798 00 99
M11	O Ring (RTW-24)	1	9010 1017 00 00
M12	Snap Ring (M6 x 20)	1	0509 0017 00 00
1	Hanger	1	8070 3034 00 00
2	Hex. Socket Bolt (M6 x 20)	2	9070 3034 00 00
3	Spring Washer (M6)	2	9200 3006 00 00

Exploded View of Motor Case



With built-in torque sensor

2 BLADE SYSTEM WRENCH

MODEL (YES. NO.)	TOOL NO.
YEX-3000 (02)	0407 0000 02 00

**YOKOTA EUROPA BV**

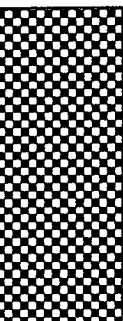
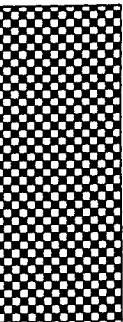
P.O. BOX 392 NL-1006 AJ AMSTERDAM PHONE 020-625 40 83 FAX 020-625 35 89

Hydraulic Impulse Wrenches Impact Wrenches Drills Compressors Screw Drivers Clippers Saws Pumps

Parts for Liner Case

No.	Name of Parts	Per Set	Parts No.
L	Liner Case Assy.	1set	0407 0422 02 99
L1	Liner Case	1	0407 0422 00 00
L2	O Ring	2	9010 4038 00 00
L3	Liner Cap	1	0405 0423 00 00
L4	Liner Upper Plate	1	0405 0424 00 00
L5	O Ring	1	9010 4037 00 00
L6	Liner Assy.	1set	0405 0425 02 99
	(a) Liner	1	※
	(b) Pin AA	4	8051 3095 00 00
L7	Relief Valve	1	0405 0245 00 00
L8	Spring Guide B Assy.	1set	0405 0510 00 99
	(a) Spring Guide B	1	※
	(b) O Ring	1	9010 1001 00 00
L10	Liner Shaft	1	0407 0796 01 00
L11	Blade	2	0405 0719 01 00
L12	Spring	2	8020 1293 00 00
L13	Liner Lower Plate A Assy.	1set	0407 0426 03 98
	(a) Liner Lower Plate	1	※
	(b) Nylon Bushing	1	0406 0431 02 00
	(c) Bushing	1	0406 0728 00 00
	(c) Adjust Bolt	1	0407 0822 01 00
	(d) Spring Pin	1	9250 2002 00 00
L14	Hex. Socket Button Bolt (M5 x 8)	1	8040 1127 00 00
L15	Washer (7.5 x 9.5 x 1.2)	1	8040 1011 00 00
L16	O Ring	1	9010 4033 00 00
L17	O Ring (2.4 x 24.7 x 29.5)	1	9010 8021 00 00
L18	Backup Ring (25 x 29 x 1)	1	9090 1008 00 00
L19	O Ring (N8)	2	9010 4028 00 00
4	S - Packing B	1	0405 0003 00 02

The part "※" can not be supplied individually.  
So please order it as a unit of assembly  
shown by arrow mark (!).

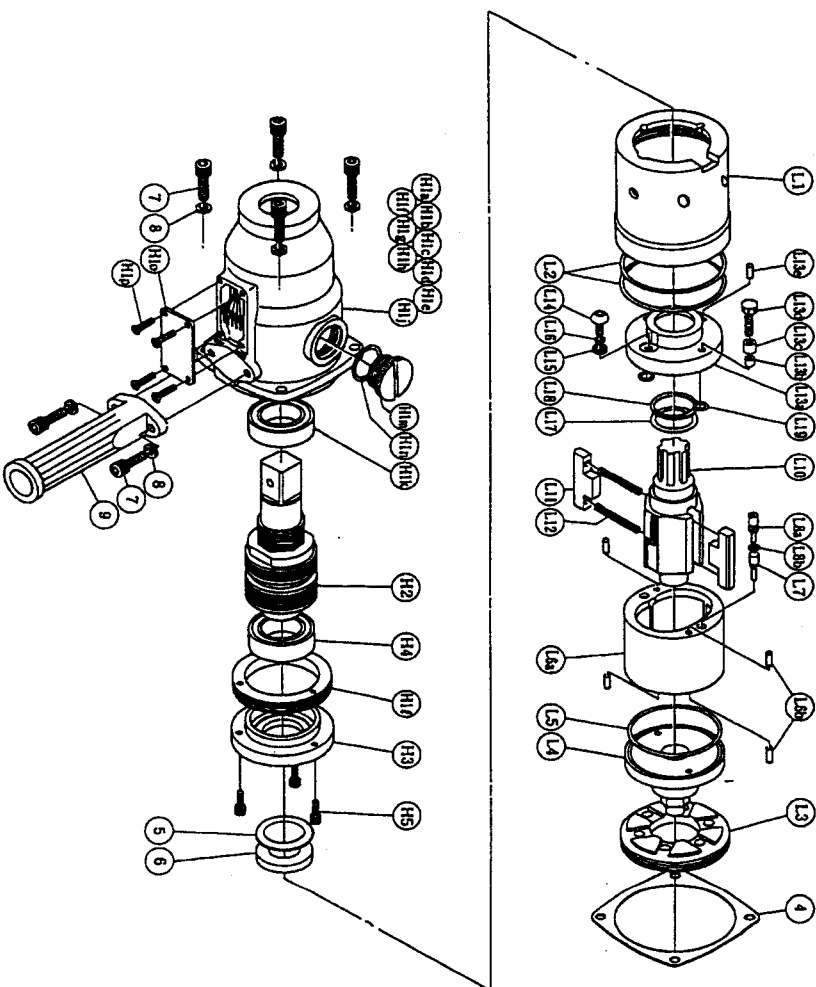


With built - in torque sensor

## 2 BLADE - SYSTEM WRENCH

MODEL (YES. NO.)	TOOL NO.
YEX - 3000 (02)	0407 0000 02 00

Exploded View of Liner Case and Hammer Case



Parts for Hammer Case

No.	Name of Parts	Per Set	Parts No.
H	Hammer Case Assy.	1set	0407 0401 00 99
H1	Hammer Case A Assy.	1set	0407 0401 00 98
	(a) Hammer Case	1	※
	(b) Core A Assy.	1set	※
	(c) Core B	1	※
	(d) Spacer A	1	※
	(e) Core C	1	※
	(f) Core D Assy.	1set	※
	(g) Screw (M4 x 5)	1	※
	(h) Tube (φ 1.5 x 9)	4	※
	(i) Micro Connector (OX - 202)	4	※
	(k) Ball Bearing (6905Z2)	1	※
	(l) Lock Nut B	1	※
	(m) Regulator Cap	1	0407 0204 00 00
	(n) O Ring	1	9010 4014 00 00
	(o) Cover Plate	1	0407 0014 00 00
	(p) Screw (M4 x 8)	4	9410 2004 00 00
H2	Main Shaft Assy.	1set	0407 0614 00 99
H3	Bearing Case	1	0407 0650 00 00
H4	Ball Bearing (6905Z2)	1	9100 5013 00 00
H5	Hex. Socket Bolt (M4 x 10)	3	8070 3007 00 00
	Washer (19.5 x 36 x 0.5)	1	8041 5032 00 00
5	Spacer	1	0407 0119 00 00
6	Hex. Socket Bolt (M6 x 22)	6	8070 3035 00 00
7	Spring Washer (M6)	6	9200 3006 00 00
8	S - Handle	1	0508 0411 00 00
Standard Accessories			
	Touch Joint (1/4 - 07)	1	9690 0007 00 00
	TF Pin (φ 2 x 90)	1	8051 6001 00 00
	Protector	1	0407 0029 00 00

The part "※" can not be supplied individually.  
So please order it as a unit of assembly  
shown by arrow mark (!).



# YOKOTA EUROPA BV

P.O. BOX 382 NL-1000 AJ AMSTERDAM PHONE 020-625 29 53 FAX 020-625 35 89

Hydraulic, Industrial, Agricultural, Impact, Woodworking, Drills, Grinders, Saws, Drivers, Chippers, Scaffolds, Pumps.