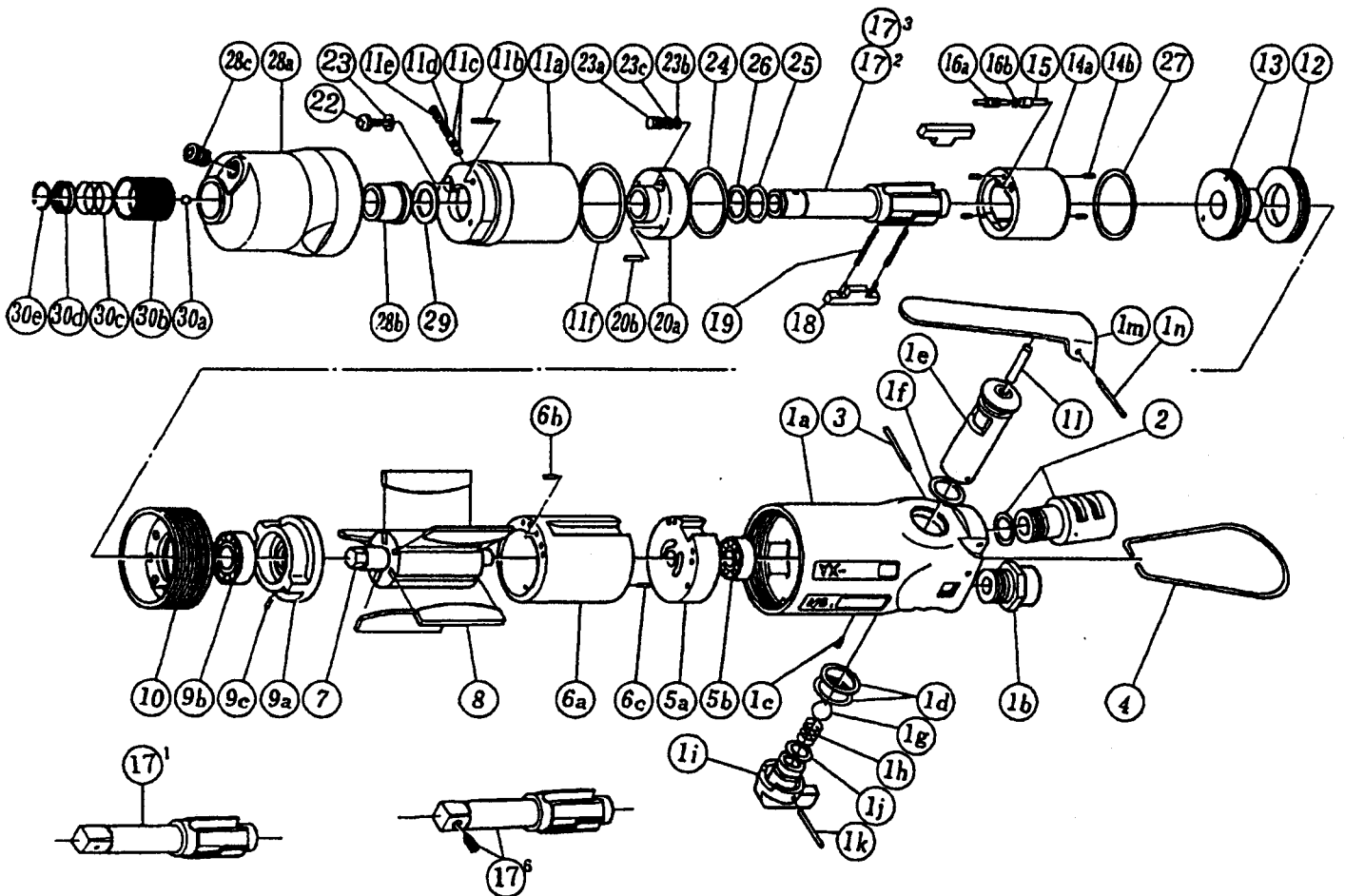


2 BLADE IMPULSE WRENCHES

MODELS (YES. NO.)	TOOL NO.
YX-180S (04)	0088 0000 04 00
YX-180SA (04)	0088 0000 04 01
YX-180SB (04)	0088 0000 04 02
YX-180SE (04)	0088 0000 04 04

EXPLODED VIEW



YOKOTA EUROPA BV

P.O. BOX 392 NL-1000 AJ AMSTERDAM PHONE 020-625 29 53 FAX 020-625 35 69

Hydraulic Impulse Wrenches, Impact Wrenches, Drills, Grinders, Screw drivers, Chippers, Scalars, Pumps.

■ PARTS LIST

No.	Name of Parts	Per Set	Parts No.
1	Motor Case Assy.	1set	0088 0011 01 99
	(a) Motor Case	1	0088 0011 01 00
	(b) Hose Joint	1	0237 0113 00 00
	(c) Spring Roll Pin (2 × 5)	1	9250 1010 00 00
	(d) O Ring (N15)	2	9010 4008 00 00
	Reverse Valve Assy.	1set	0080 0005 00 99
	(e) Reverse Valve	1	※ ↑
	(f) O Ring (N12.5)	1	9010 4006 00 00
	(g) Ball (5/16)	1	9150 4002 00 00
	(h) Spring (8 × 16)	1	8020 1066 00 00
	Reverse Lever Assy.	1set	0084 0007 00 99
	(i) Reverse Lever	1	※ ↑
	(j) O Ring (P8)	1	9010 1006 00 00
	(k) Spring Roll Pin (2 × 20)	1	9250 1021 00 00
	(l) AA Pin (4 × 21.8)	1	8051 3057 00 00
	(m) Throttle Lever	1	0931 0110 00 00
	(n) Spring Roll Pin (3 × 25)	1	9250 5001 00 00
	2	Silencer Assy.	1set
3	Spring Roll Pin (3 × 16)	1	9250 1050 00 00
4	Hanger	1	0004 0017 00 00
5	Upper Plate Assy.	1set	0081 0303 01 99
	(a) Upper Plate	1	0081 0303 01 00
	(b) Ball Bearing (697)	1	9100 1060 00 00
6	Cylinder Assy.	1set	0088 0304 01 99
	(a) Cylinder	1	※ ↑
	(b) Spring Roll Pin (2.5 × 6)	1	9250 1030 00 00
	(c) Spring Roll Pin (2 × 12)	1	9250 1015 00 00
7	Rotor	1	0088 0305 00 00
8	Vane	5	0088 0306 00 00
9	Lower Plate Assy.	1set	0081 0307 02 99
	(a) Lower Plate	1	0081 0307 02 00
	(b) Ball Bearing (6900)	1	9100 1046 00 00
	(c) FF Pin (2.5 × 6)	1	8055 1053 00 00
10	Lower Plate Spacer	1	0084 0311 00 00
11	Liner Case (A) Assy.	1set	0088 0422 02 98
	(a) Liner Case	1	※ ↑
	(b) Screw (M3 × 8)	1	9480 2024 00 00
	(c) Rubber Plate	2	0081 0047 00 00
	(d) Spring (2.4 × 6)	1	8020 1267 00 00
	(e) Screw (M3 × 3)	1	9480 2028 00 00
	(f) O Ring (N30)	1	9010 4019 00 00
12	Liner Cap	1	0081 0423 01 00
13	Liner Upper Plate	1	0259 0424 01 00

No.	Name of Parts	Per Set	Parts No.
14	Liner Assy.	1set	0136 0425 00 99
	(a) Liner	1	※ ↑
	(b) AA Pin (2 × 5)	4	8051 3091 00 00
15	Relief Valve	1	0088 0245 00 00
16	Spring Guide (B) Assy.	1set	0088 0510 00 99
	(a) Spring Guide (B)	1	※ ↑
	(b) O Ring (0.7 × 2 × 3.4)	1	9010 6020 00 00
17 ¹	Main Shaft (3/8sq.)	1	0088 0614 03 01
18	Blade	2	0088 0719 03 00
19	Spring (3.1 × 20)	2	8020 1296 00 00
20	Liner Lower Plate Assy.	1set	0081 0426 01 99
	(a) Liner Lower Plate	1	※ ↑
	(b) Spring Roll Pin (3 × 8)	1	9250 2022 00 00
21	Oil Plug	1	0081 0010 00 00
22	O Ring (N3)	1	9010 4025 00 00
23	Oil Stop Cap Assy.	1set	0081 0602 00 99
	(a) Oil Stop Cap	1	※ ↑
	(b) O Ring (N2)	1	9010 4001 00 00
	(c) Backup Ring (N2)	1	9090 2001 00 00
24	O Ring (1 × 25.2 × 27.2)	1	9010 6012 00 00
25	O Ring (2.3 × 11.8 × 16.4)	1	9010 6019 00 00
26	Backup Ring (12 × 16 × 0.8)	1	9090 1010 00 00
27	O Ring (1.5 × 26.5 × 29.5)	1	9010 6023 00 00
28	Hammer Case Assy.	1set	0088 0401 00 99
	(a) Hammer Case	1	0088 0401 00 00
	(b) Main Shaft Bushing	1	0081 0612 00 00
	(c) Socket Plug (1/8)	1	8210 5001 00 00
29	Washer (12.5 × 18 × 0.5)	0~1	8041 5011 00 00
29	Washer (12.5 × 18 × 1.0)	0~1	8041 5021 00 00
Exclusive use for YX-1806A & YX-1806B			
17 ²	Main Shaft (A type)	1	0088 0614 03 51
17 ³	Main Shaft (B type)	1	0088 0614 03 52
30	(a) Ball (1/8)	1	9150 3009 00 00
	(b) Bit Chuck	1	2057 0414 00 00
	(c) Spring (13.5 × 11.2)	1	8020 1137 00 00
	(d) Spring Washer	1	2057 0419 00 00
	(e) Retaining Ring (10 × 1)	1	8030 1009 00 00
Exclusive use for YX-180E			
17 ⁶	Main Shaft Assy.	1set	0088 0614 05 59

The part marked "※" can not be supplied individually. So please order it as a unit of assembly shown by arrow mark (↑).