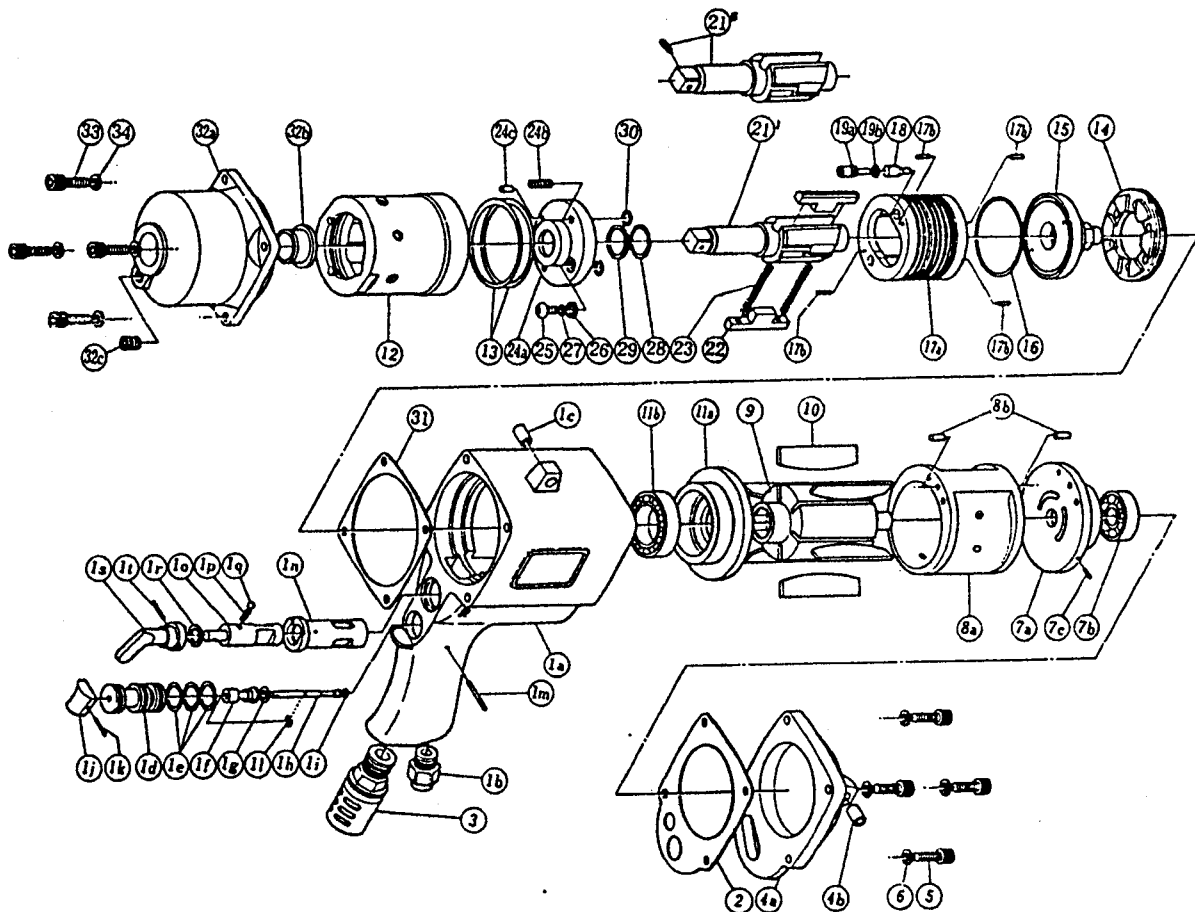


yokota
FA SYSTEM & AIR TOOLS

TWIN 2 BLADE IMPULSE WRENCHES

MODEL (YES. No.)	TOOL No.
YX - 2400E (04)	0406 0000 04 04
YX - 2400 (04)	0406 0000 04 00

■ EXPLODED VIEW



YOKOTA EUROPA BV

P.O. BOX 392 NL-1000 AJ AMSTERDAM PHONE 020-625 29 53 FAX 020-625 35 69
Hydraulic Impulse Wrenches, Impact Wrenches, Drills, Grinders, Screwdrivers, Chippers, Sealers, Pumps.

部 品 表

No.	Name of Parts	Per Set	Parts No.	No.	Name of Parts	Per Set	Parts No.
1	Motor Case Assy.	1set	0406 0011 00 99	12	Liner Case	1	0406 0422 00 00
	(a) Motor Case	1	0406 0011 00 00	13	O Ring (N55)	2	9010 4036 00 00
	(b) Hose Joint	1	0237 0113 00 00	14	Liner Cap	1	0229 0423 00 00
	(c) Spring Roll Pin (8×12)	1	9250 1110 00 00	15	Liner Upper Plate	1	0406 0424 00 00
	Throttle Bushing Assy.	1set	0229 0104 00 99	16	O Ring (N48)	1	9010 4035 00 00
	(d) Throttle Bushing	1	※ ↑	17	Liner Assy.	1set	0320 0425 02 99
	(e) O Ring (N15)	3	9010 4008 00 00		(a) Liner	1	※ ↑
	Throttle Rod Bushing Assy.	1set	0323 0105 00 99		(b) AA Pin (3.5×7)	4	8051 3096 00 00
	(f) Throttle Rod Bushing	1	※ ↑	18	Relief Valve	1	0406 0245 00 00
	(g) O Ring (No.5)	1	9010 3022 00 00	19	Spring Guide (B) Assy.	1set	0320 0510 00 99
	Throttle Rod Assy.	1set	0229 0106 00 99		(a) Spring Guide (B)	1	※ ↑
	(h) Throttle Rod	1	※ ↑	(b) O Ring (P3)	1	9010 1001 00 00	
	(i) O Ring (N2)	1	9010 4001 00 00				
	(j) Throttle Knob	1	2024 0153 00 00	21 ⁶	Main Shaft Assy. FYX-2400E	1set	0320 0614 06 59
	(k) Spring Roll Pin (1.5×14)	1	9250 1005 00 00	22	Blade	2	0320 0719 01 00
	(l) Snap Ring (ETW2.8)	1	9040 5008 00 00	23	Spring	2	8020 1215 00 00
	(m) Pin (G3×24)	1	8410 6024 00 00	24	Liner Lower Plate (A) Assy.	1set	0406 0426 03 98
(n) Reverse Bushing	1	0235 0004 00 00	(a) Liner Lower Plate		1	※ ↑	
(o) Reverse Valve	1	0235 0005 00 00	(b) Screw (M5×16)		1	9480 2025 00 00	
(p) Spring (4×6)	1	8020 1022 00 00	(c) Spring Roll Pin (4×8)	1	9250 2024 00 00		
(q) Ball (4mm)	1	9150 1005 00 00	25	Hex. Socket Button Bolt (M5×8)	1	8071 1011 00 00	
(r) Snap Ring (IRTW-14)	1	9040 3004 00 00	26	Washer (7.5×9.5×1.2)	1	8040 1127 00 00	
(s) Reverse Lever	1	0048 0007 01 00	27	O Ring (N5)	1	9010 4033 00 00	
(t) Spring Roll Pin (3×14)	1	9250 1049 00 00	28	O Ring (2.55×17.8×22.9)	1	9010 6017 00 00	
2	S-Packing (A)	1	0406 0003 00 01	29	Backup Ring (18×22.4×0.8)	1	5090 1006 00 00
3	Silencer Assy.	1set	0405 0053 01 99	30	O Ring (N7)	2	9010 4002 00 00
4	Motor Case Cover Assy.	1set	0406 0001 00 99	31	S-Packing (B)	1	0406 0003 00 02
	(a) Motor Case Cover	1set	※ ↑		32	Hammer Case Assy.	1set
(b) Spring Roll Pin (8×12)	1	9250 1110 00 00	(a) Hammer Case			1	0406 0401 01 00
5	Hex. Socket Bolt (M6×20)	4	8070 3034 00 00	(b) Main Shaft Bushing		1	0229 0612 00 00
6	Spring Washer (M6)	4	9200 3006 00 00	(c) Socket Plug (1/8)	1	8210 2001 00 00	
7	Upper Plate Assy.	1set	0406 0303 01 99	33	Hex. Socket Bolt (M6×20)	4	8070 3034 00 00
	(a) Upper Plate	1	0406 0303 01 00	34	Spring Washer (M6)	4	9200 3006 00 00
	(b) Ball Bearing (6201)	1	9100 1021 00 00				
(c) Spring Roll Pin (2.5×6)	1	9250 1030 00 00	Standard Accessories				
8	Cylinder Assy.	1set	0406 0304 00 99	Hexagon Wrenches (H2.5L)	1	9610 1014 00 00	
	(a) Cylinder	1	※ ↑	Hexagon Wrenches (H5L)	1	9610 1006 00 00	
(c) Spring Roll Pin (4×10)	2	9250 1066 00 00					
9	Rotor	1	0406 0305 00 00				
10	Vane	6	0406 0306 00 00	Optinal Parts			
11	Lower Plate Assy.	1set	0406 0307 01 99	21 ¹	Main Shaft	1	0320 0614 05 01
	(a) Lower Plate	1	0406 0307 01 00				
(b) Ball Bearing (6905)	1	9100 1047 00 00					

The part marked "※" can not be supplied individually. So please order it as a unit of assembly shown by arrow mark (↑).