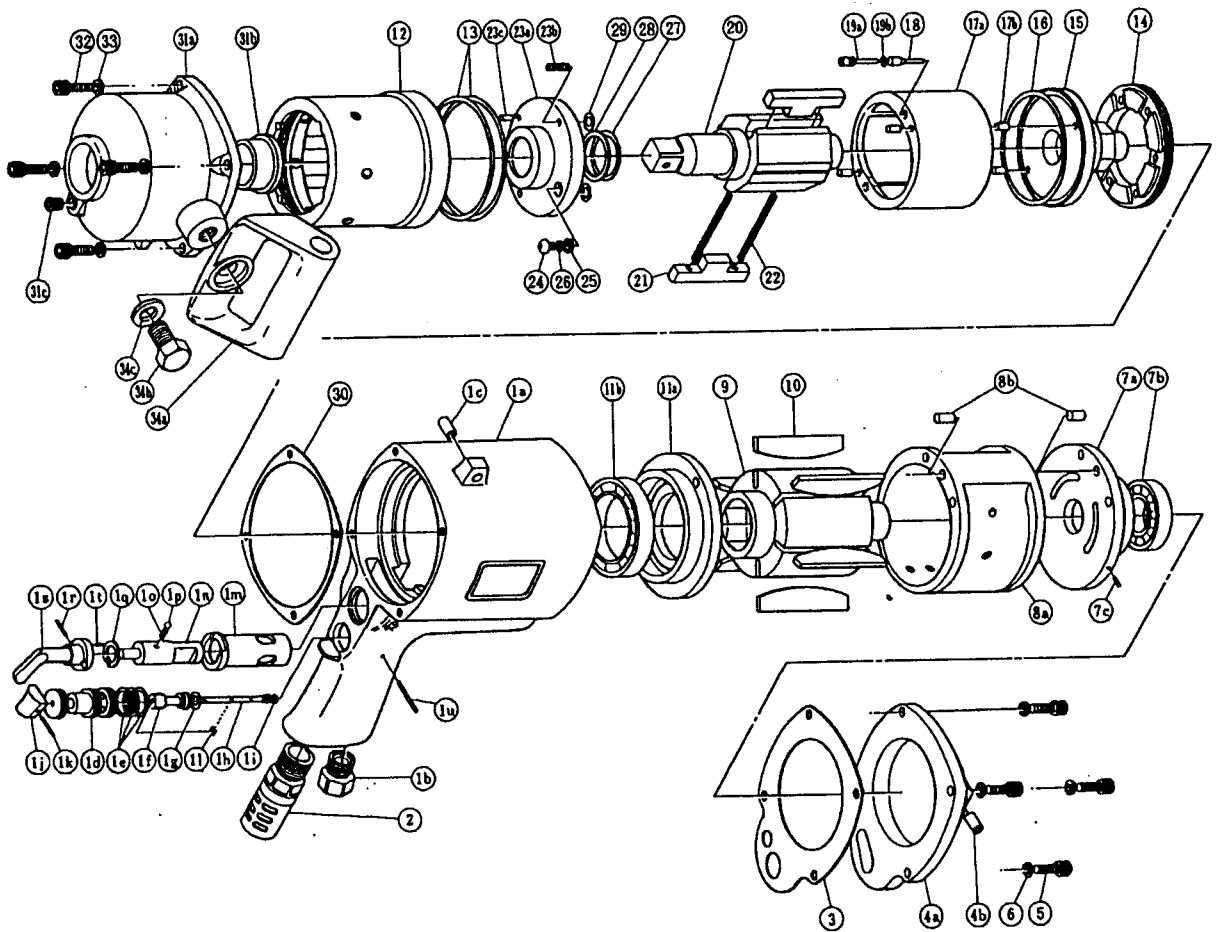


2 BLADE IMPULSE WRENCHES

MODELS (YES NO.)	TOOL NO.
YX-4500 (01)	0722 0000 01 00

EXPLODED VIEW



YOKOTA EUROPA BV

e-mail: info@impulsetools.com <http://www.impulsetools.com>
 P.O. BOX 392 NL-1000 AJ AMSTERDAM PHONE 020-625 29 53 FAX 020-625 35 69
 Hydraulic Impulse Wrenches, Impact Wrenches, Drills, Grinders, Screw drivers, Chippers, Scalers, Pumps.

PARTS LIST

No.	Name of Parts	Per Set	Parts No.	No.	Name of Parts	Per Set	Parts No.
1	Motor Case Assy.	1set	0722 0011 00 99	12	Liner Case	1	0722 0422 00 00
	(a) Motor Case	1	0722 0011 00 00	13	O Ring (N80)	2	9010 4045 00 00
	(b) Hose Joint	1	0722 0113 00 00	14	Liner Cap	1	0722 0423 00 00
	(c) Spring Pin (8 x 12)	1	9250 1110 00 00	15	Liner Upper Plate	1	0722 0424 00 00
	Throttle Bushing Assy.	1set	0722 0104 00 99	16	O Ring (N75)	1	9010 4044 00 00
	(d) Throttle Bushing	1	※	17	Liner Assy.	1set	0722 0425 01 99
	(e) O Ring (N16)	3	9010 4009 00 00	(a) Liner	1	※	
	Throttle Rod Bushing Assy.	1set	0722 0105 00 99	(b) Pin (4.5 x 8)	4	8052 1025 00 00	
	(f) Throttle Rod Bushing	1	※	18	Relief Valve	1	0722 0245 00 00
	(g) O Ring (No.6)	1	9010 3005 00 00	19	Spring Guide B Assy.	1set	0722 0510 00 99
	Throttle Rod Assy.	1set	3038 0106 00 99	(a) Spring Guide B	1	※	
	(h) Throttle Rod	1	※	(b) O Ring (N4)	1	9010 4021 00 00	
	(i) O Ring (N2)	1	9010 4001 00 00	20	Main Shaft	1	0722 0614 01 01
	(j) Throttle Knob	1	2024 0153 00 00	21	Blade	2	0722 0719 00 00
	(k) Spring Pin (1.5 x 14)	1	9250 1005 00 00	22	Spring (4.6 x 72)	2	8020 1238 00 00
	(l) Snap Ring (ETW-2.8)	1	9040 5008 00 00	23	Liner Lower Plate A Assy.	1set	0722 0426 01 98
	(m) Reverse Bushing	1	0722 0004 00 00		(a) Liner Lower Plate	1	0722 0426 01 00
	(n) Reverse Valve	1	0722 0005 00 00		(b) Screw (M5 x 16)	1	9480 2025 00 00
	(o) Spring (4 x 6)	1	8020 1022 00 00	(c) Spring Pin (4 x 8)	1	9250 2024 00 00	
	(p) Ball (4mm)	1	9150 1005 00 00	24	Hex. Socket Button Bolt (M5 x 8)	1	8071 1011 00 00
	(q) Snap Ring (IRTW-17)	1	9040 3006 00 00	25	Washer (7.5 x 9.5 x 1.2)	1	8040 1127 00 00
(r) Spring Pin (2 x 12)	1	9250 1015 00 00	26	O Ring (N5)	1	9010 4033 00 00	
(s) Reverse Lever	1	0722 0007 00 00	27	O Ring (P28)	1	9010 1042 00 00	
(t) Spring Pin (2 x 5)	1	9250 1010 00 00	28	Backup Ring (28 x 34.2 x 1.2)	1	9090 1009 00 00	
(u) Pin G (3 x 24)	1	8410 6024 00 00	29	O Ring (N8)	2	9010 4028 00 00	
2	Silencer Assy.	1set	0722 0053 01 99	30	S-Packing B	1	0722 0003 00 02
3	S-Packing A	1	0722 0003 00 01	31	Hammer Case Assy.	1set	0722 0401 00 99
4	Motor Case Cover Assy.	1set	0722 0001 00 99		(a) Hammer Case	1	0722 0401 00 00
	(a) Motor Case Cover	1	※		(b) Main Shaft Bushing	1	0722 0612 00 00
(b) Spring Pin (8 x 12)	1	9250 1110 00 00	(c) Socket Plug (1/8)	1	8210 2001 00 00		
5	Hex. Socket Bolt (M6 x 22)	4	8070 3035 00 00	32	Hex. Socket Bolt (M6 x 22)	4	8070 3035 00 00
6	Spring Washer (M6)	4	9200 3006 00 00	33	Spring Washer (M6)	4	9200 3006 00 00
7	Upper Plate Assy.	1set	0722 0303 00 99	34	Dead Handle Assy.	1set	0722 0411 00 99
	(a) Upper Plate	1	0722 0303 00 00		(a) Dead Handle	1	0722 0411 00 00
	(b) Ball Bearing (6005)	1	9100 1052 00 00		(b) Hexagon Bolt (M14 x 25)	1	8070 1030 00 00
(c) Spring Pin (3 x 6)	1	9250 1043 00 00	(c) Spring Washer (M14)	1	9200 2011 00 00		
8	Cylinder Assy.	1set	0722 0304 00 99	Standardo Accessories			
	(a) Cylinder	1	※	Hose Nipple CP <XA-453>	1set	8110 1005 00 99	
	(c) Spring Pin (6 x 12)	2	9250 1083 00 00	Inlet Thread (3/8 x 1/4)	1	8200 1005 00 00	
9	Rotor	1	0722 0305 00 00	Hose Nipple (PT1/4 x 1/2)	1	8260 1002 00 00	
10	Vane	6	0722 0306 00 00	Hexagon Wrenche (H2.5)	1	9610 1003 00 00	
11	Lower Plate Assy.	1set	0722 0307 00 99	Hexagon Wrenche (H5L)	1	9610 1006 00 00	
	(a) Lower Plate	1	0722 0307 00 00				
(b) Ball Bearing (6909)	1	9100 1059 00 00					

The part marked "※" can not be supplied individually. So please order it as a unit of assembly shown by arrow mark (↑).