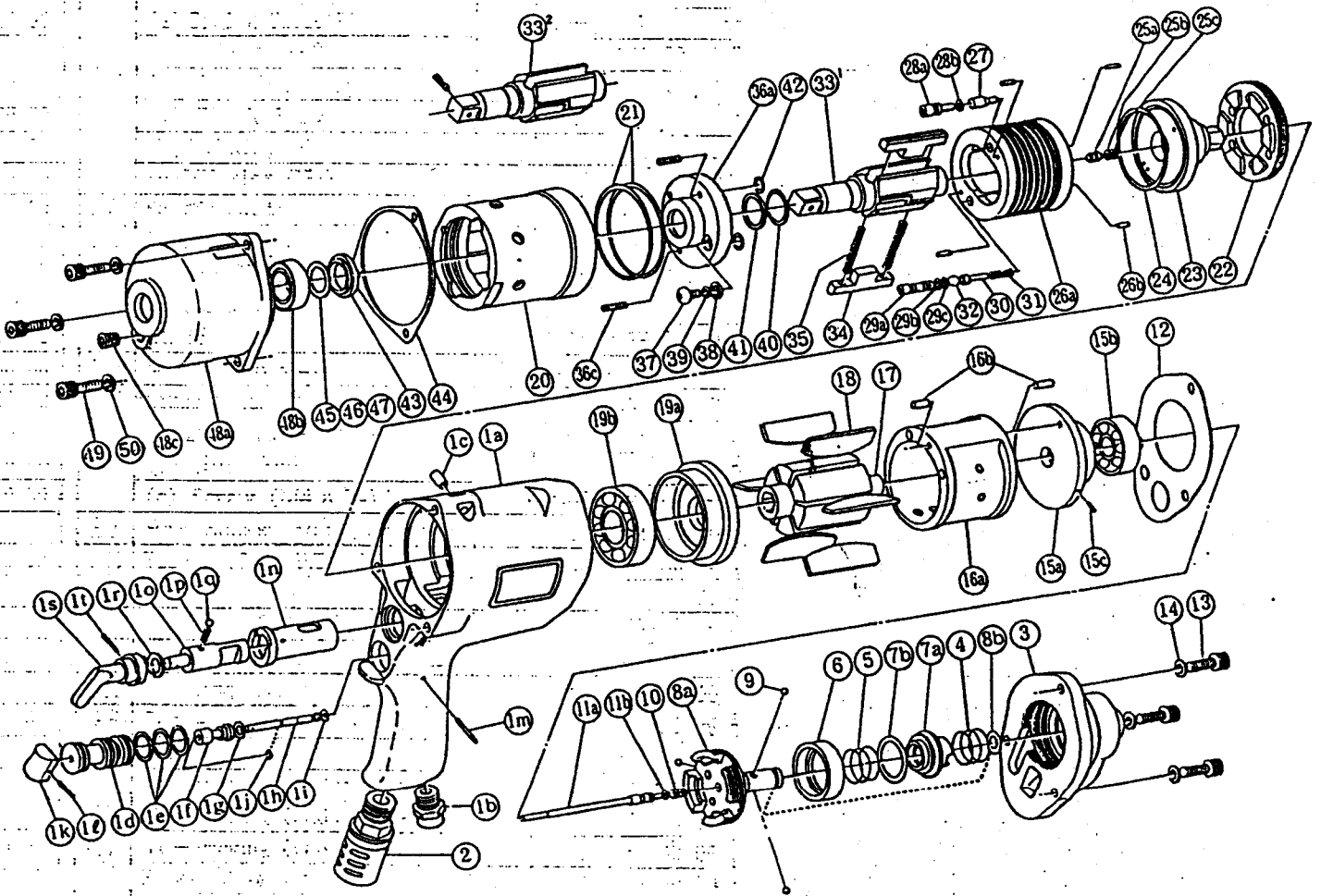


SHUT - OFF 2 BLADE • IMPULSE WRENCH

MODEL (YES. NO.)	TOOL NO.
Y.X.S.-1.9.0.0.(01)	0248 0000 01 00

EXPLODED VIEW



YOKOTA EUROPA BV

P.O. BOX 392 NL-1000 AJ AMSTERDAM PHONE 020-625 29 53 FAX 020-625 35 69

Hydraulic Impulse Wrenches, Impact Wrenches, Drills, Grinders, Screwdrivers, Chippers, Scalars, Pumps.

PARTS LIST

No.	Name of Parts	Per Set	Parts No.	No.	Name of Parts	Per Set	Parts No.
1	Motor Case Assy.	1set	0248 0011 00 99	20	Liner Case	1	0406 0422 00 00
	(a) Motor Case	1	0248 0011 00 00	21	"O" Ring (N55)	2	9010 4036 00 00
	(b) Hose Joint	1	0237 0113 00 00	22	Liner Cap	1	0248 0423 00 00
	(c) Spring Roll Pin (6 × 12)	1	9250 1083 00 00	23	Liner Upper Plate	1	0248 0424 00 00
	Throttle Bushing Assy.	1set	0248 0104 00 99	24	"O" Ring (N48)	1	9010 4035 00 00
	(d) Throttle Bushing	1	* ↑	25	Sensor Assy.	1set	0245 0794 00 99
	(e) "O" Ring (N15)	3	9010 4008 00 00		(a) Sensor	1	* ↑
	Throttle Rod Bushing Assy.	1set	0229 0105 00 99		(b) "O" Ring (P3)	1	9010 1001 00 00
	(f) Throttle Rod Bushing	1	* ↑		(c) Backup Ring (P3)	1	9090 2003 00 00
	(g) "O" Ring (No.5)	1	9010 3022 00 00	26	Liner Assy.	1set	0248 0425 00 99
	Throttle Rod Assy.	1set	0229 0106 00 99		(a) Liner	1	* ↑
	(h) Throttle Rod	1	* ↑		(b) Pin (3.5 × 7)	4	8052 1034 00 00
	(i) "O" Ring (N2)	1	9010 4001 00 00	27	Relief Valve	1	0320 0245 00 00
	(j) Snap Ring (ETW - 2.8)	1	9040 5008 00 00	28	Spring Guide(B) Assy.	1set	0248 0510 00 99
	(k) Throttle Knob	1	2024 0153 00 00		(a) Spring Guide(B)	1	* ↑
	(l) Spring Roll Pin (1.5 × 14)	1	9250 1005 00 00		(b) "O" Ring (P3)	1	9010 1001 00 00
	(m) Pin G (3 × 24)	1	8410 6024 00 00	29	Check Valve Assy.	1set	0248 0251 00 99
	(n) Reverse Bushing	1	0235 0004 00 00		(a) Check Valve	1	* ↑
	(o) Reverse Valve	1	0235 0005 00 00		(b) "O" Ring (P3)	1	9010 1001 00 00
	(p) Spring (4 × 6)	1	8020 1022 00 00		(c) "O" Ring (N4)	1	9010 4021 00 00
	(q) Ball (M4)	1	9150 1005 00 00	30	Spring Guide	1	0248 0510 00 00
	(r) Snap Ring (IRTW - 14)	1	9040 3004 00 00	31	Spring (4.6 × 27)	1	8020 1266 00 00
	(s) Reverse Lever	1	0048 0007 01 00	32	Ball (M6)	1	9150 1008 00 00
	(t) Spring Roll Pin (3 × 14)	1	9250 1049 00 00	33 ¹	Main Shaft(P)Assy.	1set	0248 0614 01 59
2	Silencer Assy.	1set	3048 0053 02 99	34	Blade	2	0320 0719 01 00
3	Motor Case Cover	1	0248 0001 00 00	35	Spring (4.6 × 41)	2	8020 1215 00 00
4	Spring (20.5 × 12)	1	8020 1262 00 00	36	Liner Lower Plate(A) Assy.	1set	0248 0426 01 98
5	Spring (20.5 × 15)	1	8020 1261 00 00		(a) Liner Lower Plate	1	* ↑
6	Control Plate	1	0248 0226 00 00		(b) Not Used		
7	Control Valve Assy.	1set	0245 0241 00 99		(c) Screw (M4 × 14)	2	9480 2022 00 00
	(a) Control Valve	1	* ↑	37	Hex. Socket Bolt (M5 × 8)	1	8071 1011 00 00
	(b) "O" Ring (P22)	1	9010 1019 00 00	38	Washer (7.5 × 9.5 × 1.2)	1	8040 1127 00 00
8	Control Bushing Assy.	1set	0248 0236 01 99	39	"O" Ring (N5)	1	9010 4033 00 00
	(a) Control Bushing	1	* ↑	40	"O" Ring (2.55 × 17.8 × 22.9)	1	9010 6017 00 00
	(b) "O" Ring (N10)	1	9010 4004 00 00	41	Backup Ring (18 × 22.4 × 0.8)	1	9090 1006 00 00
9	Ball (M3.5)	3	9150 1004 00 00	42	"O" Ring (N7)	2	9010 4002 00 00
10	Spring (5.8 × 14)	1	8020 1268 00 00	43	Spacer	1	0243 0119 00 00
11	Control Shaft Assy.	1set	0248 0224 00 99	44	S - Packing (B)	1	0229 0003 00 02
	(a) Control Shaft	1	* ↑	45	ST - Packing (17.5 × 21.5 × 0.2)	1	8011 1062 00 00
	(b) "O" Ring (N3)	1	9010 4025 00 00	46	ST - Packing (17.5 × 21.5 × 0.3)	1	8011 1063 00 00
12	S - Packing (A)	1	0235 0003 00 01	47	ST - Packing (17.5 × 21.5 × 0.5)	1	8011 1064 00 00
13	Hex. Socket Bolt (M6 × 18)	3	8070 3033 00 00	48	Hammer Case Assy.	1set	0248 0401 00 99
14	Spring Washer (M6)	3	9200 3006 00 00		(a) Hammer Case	1	0248 0401 00 00
15	Upper Plate Assy.	1set	0248 0303 01 99		(b) Ball Bearing (# 6903ZZ)	1	9100 5025 00 00
	(a) Upper Plate	1	0248 0303 01 00		(c) Socket Plug (PT1/8)	1	8210 2001 00 00
	(b) Ball Bearing (# 6201)	1	9100 1021 00 00	49	Hex. Socket Bolt (M6 × 18)	3	8070 3033 00 00
	(c) Spring Roll Pin (3 × 6)	1	9250 1043 00 00	50	Spring Washer (M6)	3	9200 3006 00 00
16	Cylinder Assy.	1set	0229 0304 01 99				
	(a) Cylinder	1	* ↑		Standard Accessories		
	(b) Spring Roll Pin (4 × 10)	2	9250 1066 00 00		Hexagon Wrench (H2L)	1	9610 1013 00 00
17	Rotor	1	0248 0305 00 00		Hexagon Wrench (H5)	1	9610 1006 00 00
18	Vane	6	0229 0306 00 00				
19	Lower Plate Assy.	1set	0229 0307 01 99		Optional Parts		
	(a) Lower Plate	1	0229 0307 01 00	33 ¹	Main Shaft (1/2sq)	1	0248 0614 01 01
	(b) Ball Bearing (# 6204)	1	9100 1024 00 00				

The part marked "*" can not be supplied individually. So please order it as a unit of assembly shown by arrow mark (↑).