

Parts for Liner Case

No.	Name of Parts	Per Set	Parts No.
16	Liner Case (A) Assy.	1set	0166 0422 00 98
	(a) Liner Case	1	* ↑
	(b) Screw (M3×8)	2	9480 2024 00 00
	(c) Rubber Plate	4	0259 0047 00 00
	(d) Spring (3×5)	2	8020 1288 00 00
	(e) Screw (M4×4)	2	9480 2031 00 00
	(f) O - Ring (N32)	1	9010 4014 00 00
17	Liner Cap	1	0086 0423 00 00
18	Liner Upper Plate	1	0166 0424 00 00
19	Screw (M3×5)	1	9480 2001 00 00
20	Sensor Assy.	1set	0164 0794 00 99
	(a) Sensor	1	* ↑
	(b) O - Ring (1.75×3×6.5)	1	9010 8027 00 00
	(c) Back-up Ring (3.2×6×1.5)	1	9090 2005 00 00
21	O - Ring (1.3×28.7×31.3)	1	9010 8010 00 00
22	Liner Assy.	1set	0166 0425 0199
	(a) Liner	1	* ↑
	(b) Pin (2.5×6 41-44HRC)	4	9052 1030 0000
23	Relief Valve	1	0086 0245 00 00
24	Spring Guide(B) Assy.	1set	0166 0510 00 99
	(a) Spring Guide(B)	1	* ↑
	(b) O - Ring (0.7×2×3.4)	1	9010 8020 00 00
25	Spring (3.4×12.2)	1	8020 1326 00 00
26	Spring Guide	1	0166 0510 01 00
27	Ball (3/32)	1	9150 3001 00 00
28	Check Valve Assy.	1set	0166 0251 00 99
	(a) Check Valve	1	* ↑
	(b) O - Ring (0.7×2×3.4)	1	9010 8020 00 00
29 ^e	Main Shaft	1	0281 0614 00 01
30	Blade	2	0086 0719 03 00
31	Spring (3.4×22.7)	2	8020 1253 00 00
32	Liner Lower Plate Assy.	1set	0166 0426 00 99
	(a) Liner Lower Plate	1	* ↑
	(b) Spring Pin (3×8)	1	9250 2022 00 00
33	Oil Plug	1	0081 0010 01 00
34	O - Ring (N3)	1	9010 4025 00 00
35	Oil Stop Cap Assy.	2set	0081 0602 00 99
	(a) Oil Stop Cap	1	* ↑
	(b) O - Ring (N2)	1	9010 4001 00 00
	(c) Back-up Ring (N2)	1	9090 2001 00 00
36	O - Ring (1×29.2×31.2)	1	9010 8022 00 00
37	O - Ring (P12)	1	9011 0001 00 00
38	Back-up Ring (12×16×1)	1	9090 5001 00 00
★39	Washer (12.5×18×0.3)	1	8041 5034 00 00
★40	Washer (12.5×18×0.5)	1	8041 5011 00 00
★41	Washer (12.5×18×1)	1	8041 5021 00 00
★42	ST-Packing (12.5×16×0.2)	1	8011 1011 00 00
★43	ST-Packing (12.5×16×0.3)	1	8011 1012 00 00

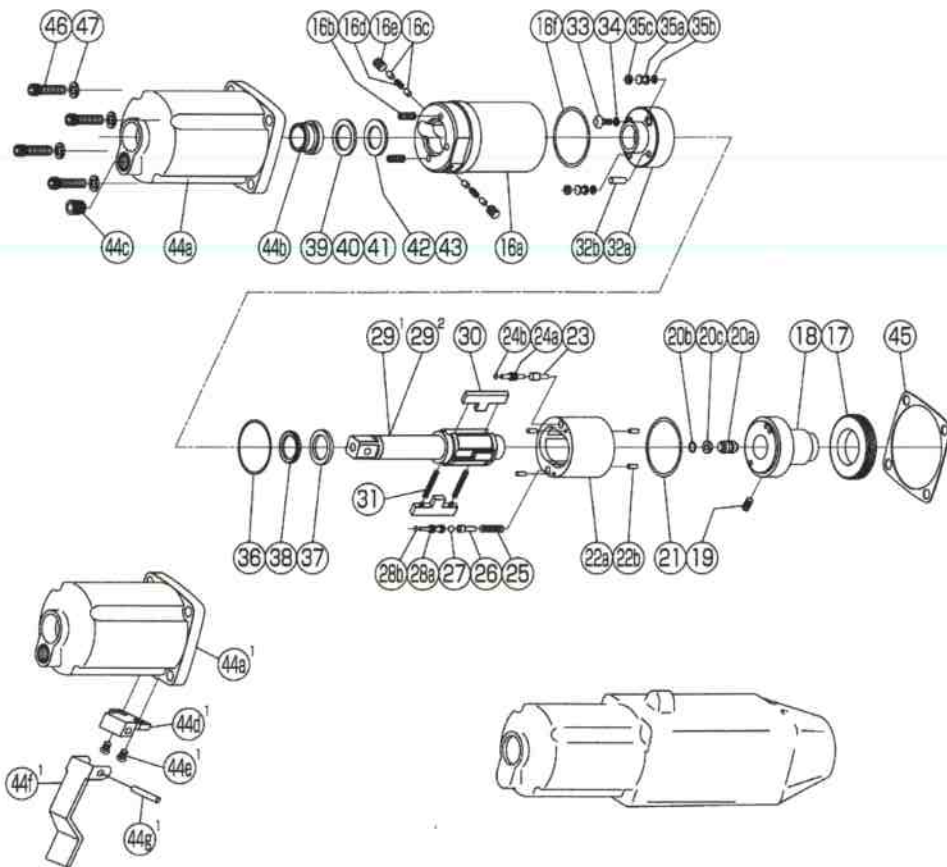
The part "*" can not be supplied individually.
So please order it as a unit of assembly shown by arrow mark (↑).

☆marked parts; use one of them.

IMPULSE WRENCH

MODEL (YES.No.)	TOOL No.
Y-T70 (02)	0166 0000 0200
Y-T70E (02)	0166 0000 0209
Y-T70-D (02)	0166 0000 0206
Y-T70E-D(02)	0166 0000 0214

Exploded View of Liner Case and Hammer Case



Parts for Hammer Case

No.	Name of Parts	Per Set	Parts No.	
44	Hammer Case Assy.	1set	0166 0401 00 99	
	(a) Hammer Case	1	0166 0401 00 00	
	(b) Main Shaft Bushing	1	0081 0612 00 00	
	(c) Socket Plug	1	8210 5001 00 00	
45	S-Packing(B)	1	0135 0003 00 02	
46	Screw (M5×18)	4	8070 3052 00 00	
47	Spring Washer (M5)	4	9200 3005 00 00	
Parts for Y-T70E				
29 ^e	Main Shaft Assy. (E-type)	1set	0281 0614 00 59	
Special Parts for D-version				
1 ^e	Motor Case Assy.	1set	0166 0011 01 84	
	Throttle Bushing Assy.	1set	0141 0104 01 99	
	(l) Throttle Bushing	1	* ↑	
	(m) O - Ring (N16)	1	9010 4009 00 00	
	Throttle Rod Assy.	1set	0141 0106 03 99	
	(n) Throttle Rod	1	* ↑	
	(o) O - Ring (No.3)	1	9010 3021 00 00	
	(s) Reverse Valve	1	0166 0005 00 00	
	(x) Throttle Knob	1	0281 0153 00 00	
	(y) Spring Pin (1.5×12)	1	9250 1004 00 00	
	(z) Spring (5.2×4)	1	8020 1284 00 00	
	(A) Conical Spring (5×11.5×12)	1	8020 3061 00 00	
	44 ¹	Hammer Case Assy.	1set	0166 0401 00 84
		(a) Hammer Case (A)	1	0166 0401 00 01
(d) Blaket		1	0281 0023 00 00	
(e) Cross Recessed Head Screw (M3×8)		2	9440 2002 00 00	
(f) Throttle Lever		1	0281 0110 00 00	
(g) Spring Pin (3×18)		1	9250 2018 00 00	
Standard Accessories				
	Swivel Joint	1	9690 0015 00 00	
	Hex. Wrench (H1.5×65×65)	1	9610 1012 00 00	
	Hex. Wrench (H5)	1	9610 1006 00 00	
	Protector	1	0166 0029 00 00	

The part "*" can not be supplied individually.
So please order it as a unit of assembly shown by arrow mark (↑).

Parts for Motor Case

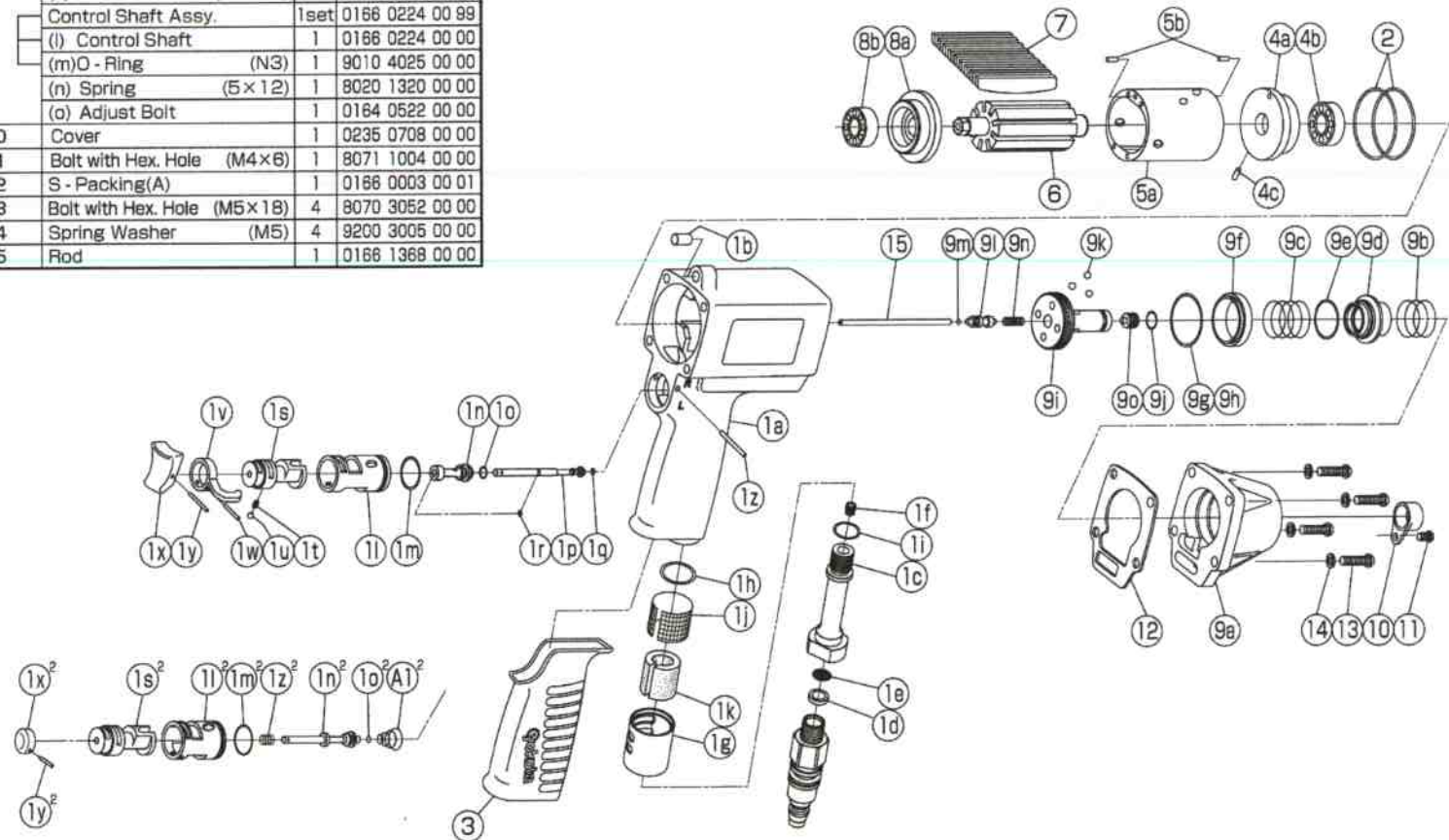
No.	Name of Parts	Per Set	Parts No.
1	Motor Case Assy.	1set	0166 0011 01 99
	(a) Motor Case	1	* †
	(b) Spring Pin (6×10)	1	9250 1082 00 00
	Hose Joint Assy.	1set	0166 0113 00 99
		(c) Hose Joint	1
	(d) Washer (7.5×11×2)	1	8042 2008 00 00
	(e) Strainer	1	0259 0111 00 00
	(f) Socket Plug	1	8210 8002 00 00
	(g) Exhaust Cover	1	0141 0018 00 00
	(h) O - Ring (N20)	1	9010 4010 00 00
	(i) O - Ring (N15)	1	9010 4008 00 00
	(j) Silencer Sheet(A)	1	0141 0032 00 01
	(k) Silencer Sheet(B)	1	0141 0032 00 02
	Throttle Bushing Assy.	1set	0167 0104 00 99
		(l) Throttle Bushing	1
	(m) O - Ring (N16)	1	9010 4009 00 00
	Throttle Rod Bushing Assy.	1set	0167 0105 00 99
		(n) Throttle Rod Bushing	1
	(o) O - Ring (P6)	1	9010 1049 00 00
	Throttle Rod Assy.	1set	0167 0106 01 99
		(p) Throttle Rod	1
	(q) O - Ring (N3)	1	9010 4051 00 00
	(r) Snap Ring (ETW-2.8)	1	9040 5008 00 00
	(s) Reverse Valve	1	0167 0005 00 00
	(t) Spring (3×4)	1	8020 1246 00 00
	(u) Ball (1/8)	1	9150 3009 00 00
	(v) Reverse Lever	1	2315 0007 00 00
	(w) Spring Pin (2×12)	1	9250 1015 00 00
	(x) Throttle Knob	1	0094 0153 00 00
	(y) Spring Pin (1.5×14)	1	9250 1005 00 00
	(z) AA Pin (3×23.8)	1	8051 3041 00 00
2	O - Ring (N40)	2	9010 4017 00 00
3	Rubber Grip	1	0141 0144 00 00
4	Upper Plate Assy.	1set	0166 0303 00 99
	(a) Upper Plate	1	0135 0303 01 00
	(b) Ball Bearing (6901ZZCM)	1	9102 2002 00 00
(c) AA Pin (2×6.8)	1	8051 3017 00 00	
5	Cylinder Assy.	1set	0135 0304 02 99
	(a) Cylinder	1	* †
(b) Pin (2.5×6)	2	8055 1053 00 00	
6	Rotor	1	0166 0305 00 00
7	Vane	9	0135 0306 00 00
8	Lower Plate Assy.	1set	0135 0307 04 99
	(a) Lower Plate	1	0135 0307 03 00
(b) Ball Bearing (6900CM)	1	9102 1001 00 00	
9	Motor Case Cover Assy.	1set	0166 0001 00 99
	(a) Motor Case Cover	1	0166 0001 00 00
	(b) Spring (20.5×12)	1	8020 1262 00 00
(c) Spring (20.5×15)	1	8020 1261 00 00	

No.	Name of Parts	Per Set	Parts No.	
10	Control Valve Assy.	1set	0166 0241 00 99	
	(d) Control Valve	1	0166 0241 00 00	
	(e) O - Ring (P22)	1	9010 1019 00 00	
	(f) Control Plate	1	0166 0226 00 00	
	* (g) ST-Packing (27.2×29.8×0.1)	1	8011 1079 00 00	
	* (h) ST-Packing (27.2×29.8×0.2)	1	8011 1080 00 00	
	Control Bushing Assy.	1set	0166 0236 00 99	
		(i) Control Bushing	1	0166 0236 00 00
		(j) O - Ring (N10)	1	9010 4004 00 00
	(k) Ball (3.5mm)	3	9150 1004 00 00	
	Control Shaft Assy.	1set	0166 0224 00 99	
		(l) Control Shaft	1	0166 0224 00 00
		(m) O - Ring (N3)	1	9010 4025 00 00
		(n) Spring (5×12)	1	8020 1320 00 00
		(o) Adjust Bolt	1	0164 0522 00 00
10		Cover	1	0235 0708 00 00
11		Bolt with Hex. Hole (M4×6)	1	8071 1004 00 00
12	S - Packing(A)	1	0166 0003 00 01	
13	Bolt with Hex. Hole (M5×18)	4	8070 3052 00 00	
14	Spring Washer (M5)	4	9200 3005 00 00	
15	Rod	1	0166 1368 00 00	

IMPULSE WRENCH

MODEL (YES.No.)	TOOL No.
Y-T70 (02)	0166 0000 0200
Y-T70E (02)	0166 0000 0209
Y-T70-D (02)	0166 0000 0206
Y-T70E-D(02)	0166 0000 0214

Exploded View of Motor Case



The part "*" can not be supplied individually. So please order it as a unit of assembly shown by arrow mark (†).

* marked parts may be not used, in some case.

☆ marked parts; use one of them.