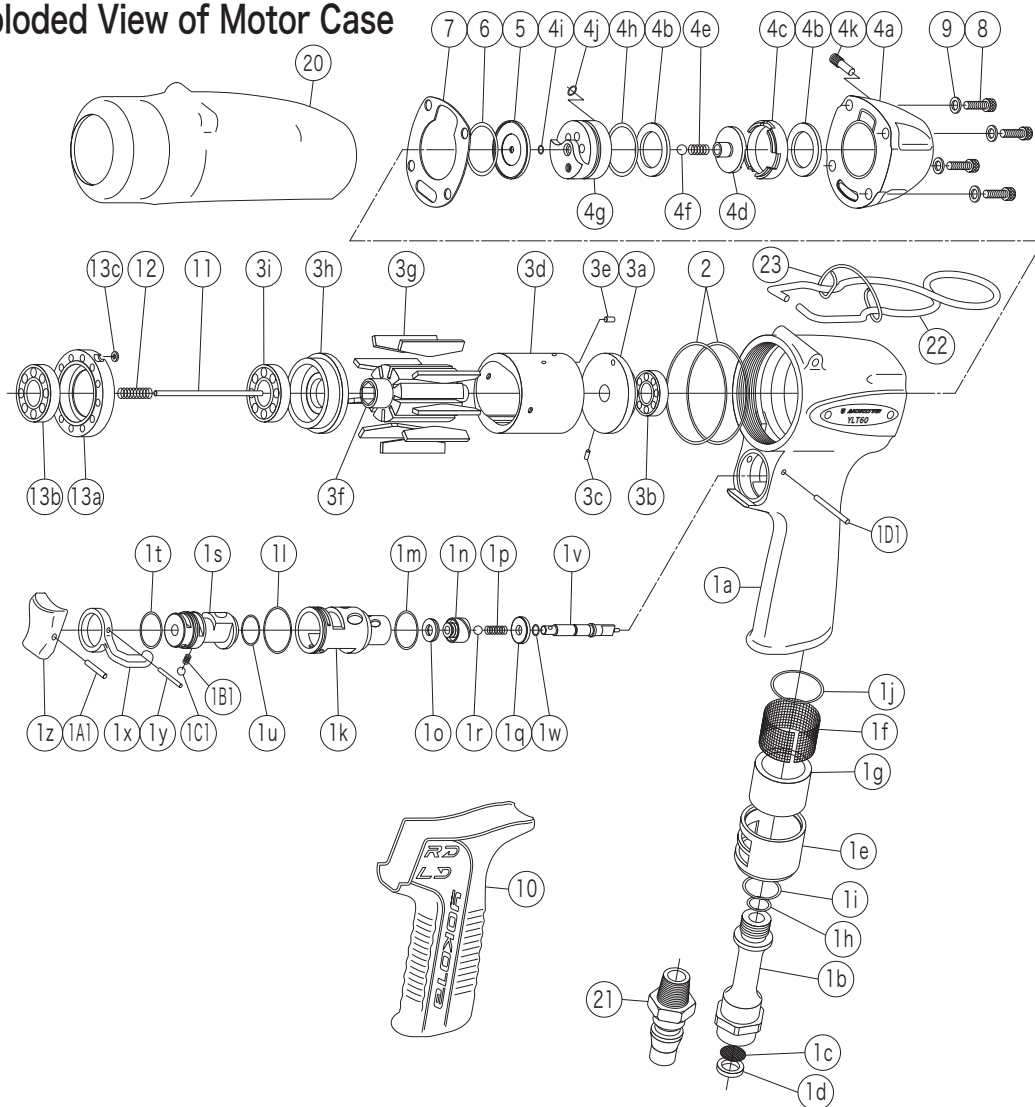


IMPULSE WRENCH

| MODEL (YES.No.) | TOOL No. |
|-----------------|----------------|
| YLT60 (00) | 0371 0000 0000 |
| YLT60A (00) | 0371 0000 0001 |
| YLT60B (00) | 0371 0000 0002 |
| YLT60E (00) | 0371 0000 0009 |

Exploded View of Motor Case

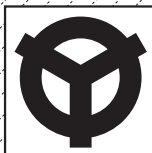


Parts for Motor Case

| No. | Name of Parts | Per Set | Parts No. |
|----------------------------|---------------------------|-----------------|-----------------|
| 1 | Motor Case Assy. | 1set | 0371 0011 00 99 |
| | (a) Motor Case | 1 | ※ ↑ |
| | Hose Joint Assy. | 1set | 0181 0113 00 99 |
| | (b) Hose Joint | 1 | ※ ↑ |
| | (c) Strainer | 1 | 0259 0111 00 00 |
| | (d) Washer (7.5×11×2) | 1 | 8042 2008 00 00 |
| | (e) Exhaust Cover | 1 | 0334 0016 00 00 |
| | (f) Silencer Sheet(A) | 1 | 0141 0032 00 01 |
| | (g) Silencer Sheet | 1 | 0334 0032 00 00 |
| | (h) O-Ring (S10) | 1 | 9010 4004 00 00 |
| | (i) O-Ring (S16) | 1 | 9010 4009 00 00 |
| | (j) O-Ring (1×20×22) | 1 | 9010 6043 00 00 |
| | ThrottleA ssy. | 1set | 0371 0186 00 99 |
| | (k) Throttle Bushing | 1 | 0181 0104 00 00 |
| (l) O-Ring (0.7×17.8×19.2) | 1 | 9010 6030 00 00 | |
| (m) O-Ring (S16) | 1 | 9010 4009 00 00 | |
| Throttle Valve Assy. | 1set | 0181 0108 01 99 | |
| (n) Throttle Valve | 1 | ※ ↑ | |
| (o) Rubber Pad | 1 | 2331 0678 00 00 | |
| (p) Spring (3.4×9.7) | 1 | 8020 1345 00 00 | |
| (q) Throttle Bushing Cap | 1 | 2331 0160 00 00 | |
| (r) Ball (3.5mm) | 1 | 9150 2006 00 00 | |
| (s) Reverse Valve | 1 | 0371 0005 00 00 | |
| (t) O-Ring (0.8×13.5×15.1) | 1 | 9010 6031 00 00 | |
| (u) O-Ring (S12.5) | 1 | 9010 4006 00 00 | |
| (v) Throttle Rod | 1 | 0371 0106 00 00 | |
| (w) O-Ring (0.5×3.7×4.7) | 1 | 9010 6034 00 00 | |
| (x) Reverse Lever | 1 | 2331 0007 00 00 | |
| (y) Spring Pin (2×12) | 1 | 9250 1015 00 00 | |
| (z) Throttle Knob | 1 | 0158 0153 00 00 | |
| (A1) Spring Pin (1.5×14) | 1 | 9250 1005 00 00 | |
| (B1) Spring (3×4) | 1 | 8020 1246 00 00 | |
| (C1) Ball (1/8) | 1 | 9150 3009 00 00 | |
| (D1) Pin (2×22) | 1 | 8055 1050 00 00 | |
| 2 | O-Ring (JASO 1033) | 2 | 9011 3004 00 00 |
| 3 | Motor Assy. | 1set | 0371 0305 00 99 |
| | Upper Plate Assy. | 1set | 0371 0303 00 99 |
| | (a) Upper Plate | 1 | 0371 0303 00 00 |
| | (b) Ball Bearing (607MC2) | 1 | 9102 3003 00 00 |
| | (c) Pin (1.5×4) | 1 | 8051 1314 00 00 |
| | Cylinder Assy. | 1set | 0371 0304 00 99 |
| | (d) Cylinder | 1 | ※ ↑ |
| | (e) Pin (2×5) | 1 | 8055 1040 00 00 |
| | (f) Rotor | 1 | 0371 0305 00 00 |
| | (g) Vane | 9 | 0371 0306 00 00 |
| | Lower Plate Assy. | 1set | 0371 0307 00 99 |
| | (h) Lower Plate | 1 | 0371 0307 00 00 |
| | (i) Ball Bearing (6901CM) | 1 | 9102 1003 00 00 |

| No. | Name of Parts | Per Set | Parts No. |
|----------------------|------------------------------|--------------------|-----------------|
| 4 | Motor Case Cover Assy. | 1set | 0371 0001 00 99 |
| | (a) Motor Case Cover | 1 | 0372 0001 00 00 |
| | (b) Back-up Ring (15×22×1.5) | 2 | 9090 1033 00 00 |
| | (c) Buffer Plate | 1 | 0371 0297 00 00 |
| | (d) Shut Off Valve | 1 | 0371 0295 00 00 |
| | (e) Spring (4.05×7.5) | 1 | 8020 1366 00 00 |
| | (f) Ball (4mm) | 1 | 9150 1005 00 00 |
| | (g) Shut Off Valve Bushing | 1 | 0371 0296 00 00 |
| | (h) O-Ring (1.5×19×22) | 1 | 9010 6062 00 00 |
| | (i) O-Ring (N2) | 1 | 9010 4001 00 00 |
| | (j) O-Ring (1.5×1.5×4.5) | 1 | 9010 6063 00 00 |
| | (k) Valve Plug (M4×12) | 1 | 0371 0298 00 00 |
| | 5 | Upper Plate Spacer | 1 |
| 6 | O-Ring (1.5×19×22) | 1 | 9010 6062 00 00 |
| 7 | S-Packing | 1 | 0372 0003 00 00 |
| 8 | Hexagon Socket Bolt (M4×10) | 4 | 8070 3156 00 00 |
| 9 | Washer (4×6.6×1.2) | 4 | 8041 6016 00 00 |
| 10 | Rubber Grip | 1 | 0188 0144 00 00 |
| 11 | Rod | 1 | 0371 1368 00 00 |
| 12 | Spring (4.3×21) | 1 | 8020 1367 00 00 |
| 13 | Lower Plate Spacer Assy. | 1set | 0371 0311 00 99 |
| | (a) Lower Plate Spacer | 1 | 0371 0311 00 00 |
| | (b) Ball Bearing (6802) | 1 | 9100 1063 00 00 |
| | (c) Washer (WSSB4-2-2) | 1 | 8041 6015 00 00 |
| Standard Accessories | | | |
| 20 | Protector | 1 | 0371 0029 00 00 |
| 21 | Touch Joint (1/4-02) | 1 | 9690 0002 00 00 |
| 22 | Hanger | 1 | 0099 0017 00 00 |
| 23 | Hanger Clip | 1 | 0190 1801 00 00 |
| | Hex. Wrench (H1.5×65×65) | 1 | 9610 1012 00 00 |
| | Hex. Wrench (H5/32) | 1 | 9610 3008 00 00 |

The part "※" can not be supplied individually.
So please order it as a unit of assembly shown by arrow mark(↑).



YOKOTA EUROPA BV

De Ruijterkade 120, 1011 AB Amsterdam, Netherlands. PHONE 020-5318800 FAX 020-5318808
e-mail info@impulsetools.com http://www.impulsetools.com
Hydraulic Impulse Wrenches, Impact Wrenches, Drills, Grinders, Screw Drivers, Chippers, Sealers, Pumps.