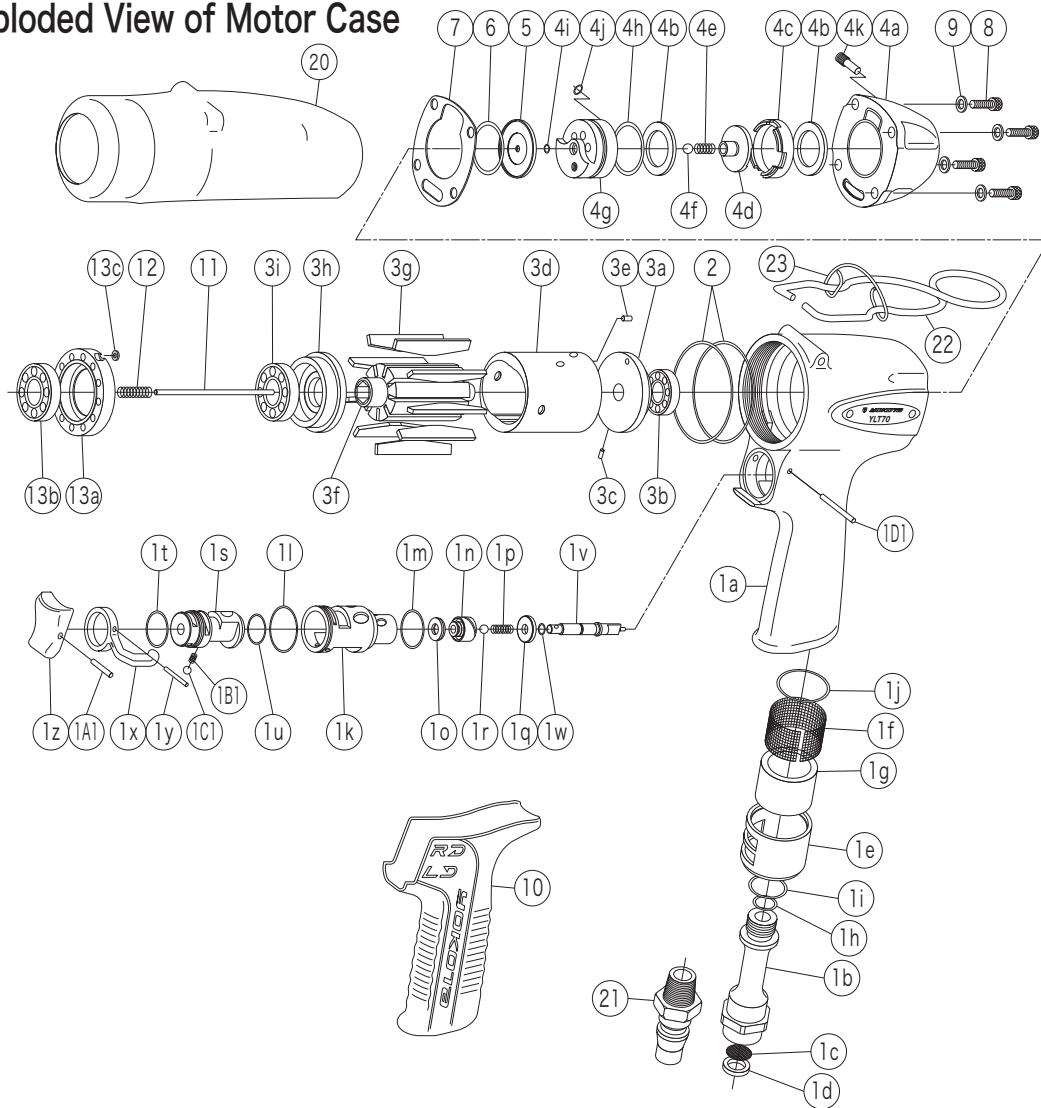


# IMPULSE WRENCH

MODEL (YES.No.)	TOOL No.
YLT70 (00)	0372 0000 0000
YLT70A (00)	0372 0000 0001
YLT70B (00)	0372 0000 0002
YLT70E (00)	0372 0000 0009

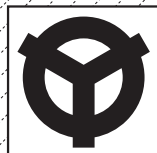
## Exploded View of Motor Case



## Parts for Motor Case

No.	Name of Parts	Per Set	Parts No.
1	Motor Case Assy.	1set	0372 0011 00 99
	(a) Motor Case	1	※ ↑
	Hose Joint Assy.	1set	0181 0113 00 99
	(b) Hose Joint	1	※ ↑
	(c) Strainer	1	0259 0111 00 00
	(d) Washer (7.5×11×2)	1	8042 2008 00 00
	(e) Exhaust Cover	1	0334 0016 00 00
	(f) Silencer Sheet(A)	1	0141 0032 00 01
	(g) Silencer Sheet	1	0334 0032 00 00
	(h) O-Ring (S10)	1	9010 4004 00 00
	(i) O-Ring (S16)	1	9010 4009 00 00
	(j) O-Ring (1×20×22)	1	9010 6043 00 00
	ThrottleA ssy.	1set	0371 0186 00 99
	(k) Throttle Bushing	1	0181 0104 00 00
(l) O-Ring (0.7×17.8×19.2)	1	9010 6030 00 00	
(m)O-Ring (S16)	1	9010 4009 00 00	
2	Throttle Valve Assy.	1set	0181 0108 01 99
	(n) Throttle Valve	1	※ ↑
	(o) Rubber Pad	1	2331 0678 00 00
	(p) Spring (3.4×9.7)	1	8020 1345 00 00
	(q) Throttle Bushing Cap	1	2331 0160 00 00
	(r) Ball (3.5mm)	1	9150 2006 00 00
	(s) Reverse Valve	1	0371 0005 00 00
	(t) O-Ring (0.8×13.5×15.1)	1	9010 6031 00 00
	(u) O-Ring (S12.5)	1	9010 4006 00 00
	(v) Throttle Rod	1	0371 0106 00 00
	(w) O-Ring (0.5×3.7×4.7)	1	9010 6034 00 00
	(x) Reverse Lever	1	2331 0007 00 00
	(y) Spring Pin (2×12)	1	9250 1015 00 00
	(z) Throttle Knob	1	0158 0153 00 00
(A1)Spring Pin (1.5×14)	1	9250 1005 00 00	
(B1)Spring (3×4)	1	8020 1246 00 00	
(C1)Ball (1/8)	1	9150 3009 00 00	
(D1)Pin (2×22)	1	8055 1050 00 00	
3	O-Ring (JASO 1033)	2	9011 3004 00 00
	Motor Assy.	1set	0372 0305 00 99
4	Upper Plate Assy.	1set	0371 0303 00 99
	(a) Upper Plate	1	0371 0303 00 00
	(b) Ball Bearing (607MC2)	1	9102 3003 00 00
	(c) Pin (1.5×4)	1	8051 1314 00 00
	Cylinder Assy.	1set	0372 0304 00 99
	(d) Cylinder	1	※ ↑
	(e) Pin (2×5)	1	8055 1040 00 00
	(f) Rotor	1	0372 0305 00 00
	(g) Vane	9	0372 0306 00 00
	Lower Plate Assy.	1set	0371 0307 00 99
	(h) Lower Plate	1	0371 0307 00 00
(i) Ball Bearing (6901CM)	1	9102 1003 00 00	

No.	Name of Parts	Per Set	Parts No.
4	Motor Case Cover Assy.	1set	0371 0001 00 99
	(a) Motor Case Cover	1	0372 0001 00 00
	(b) Back-up Ring (15×22×1.5)	2	9090 1033 00 00
	(c) Buffer Plate	1	0371 0297 00 00
	(d) Shut Off Valve	1	0371 0295 00 00
	(e) Spring (4.05×7)	1	8020 1371 00 00
	(f) Ball (4mm)	1	9150 1005 00 00
	(g) Shut Off Valve Bushing	1	0371 0296 00 00
	(h) O-Ring (1.5×19×22)	1	9010 6062 00 00
	(i) O-Ring (N2)	1	9010 4001 00 00
	(j) O-Ring (1.5×1.5×4.5)	1	9010 6063 00 00
	(k) Valve Plug (M4×12)	1	0371 0298 00 00
	5	Upper Plate Spacer	1
6	O-Ring (1.5×19×22)	1	9010 6062 00 00
7	S-Packing	1	0372 0003 00 00
8	Hexagon Socket Bolt (M4×10)	4	8070 3156 00 00
9	Washer (4×6.6×1.2)	4	8041 6016 00 00
10	Rubber Grip	1	0188 0144 00 00
11	Rod	1	0372 1368 00 00
12	Spring (4.3×21)	1	8020 1367 00 00
13	Lower Plate Spacer Assy.	1set	0371 0311 00 99
	(a) Lower Plate Spacer	1	0371 0311 00 00
	(b) Ball Bearing (6802)	1	9100 1063 00 00
	(c) Washer (WSSB4-2-2)	1	8041 6015 00 00
Standard Accessories			
20	Protector	1	0372 0029 00 00
21	Touch Joint (1/4-02)	1	9690 0002 00 00
22	Hanger	1	0099 0017 00 00
23	Hanger Clip	1	0190 1801 00 00
	Hex. Wrench (H1.5×65×65)	1	9610 1012 00 00
	Hex. Wrench (H5/32)	1	9610 3008 00 00



# YOKOTA EUROPA BV

De Ruijterkade 120, 1011 AB Amsterdam, Netherlands. PHONE 020-5318800 FAX 020-5318808  
 e-mail info@impulsetools.com http://www.impulsetools.com  
 Hydraulic Impulse Wrenches, Impact Wrenches, Drills, Grinders, Screw Drivers, Chippers, Sealers, Pumps.

The part "※" can not be supplied individually.  
 So please order it as a unit of assembly shown by arrow mark(↑).