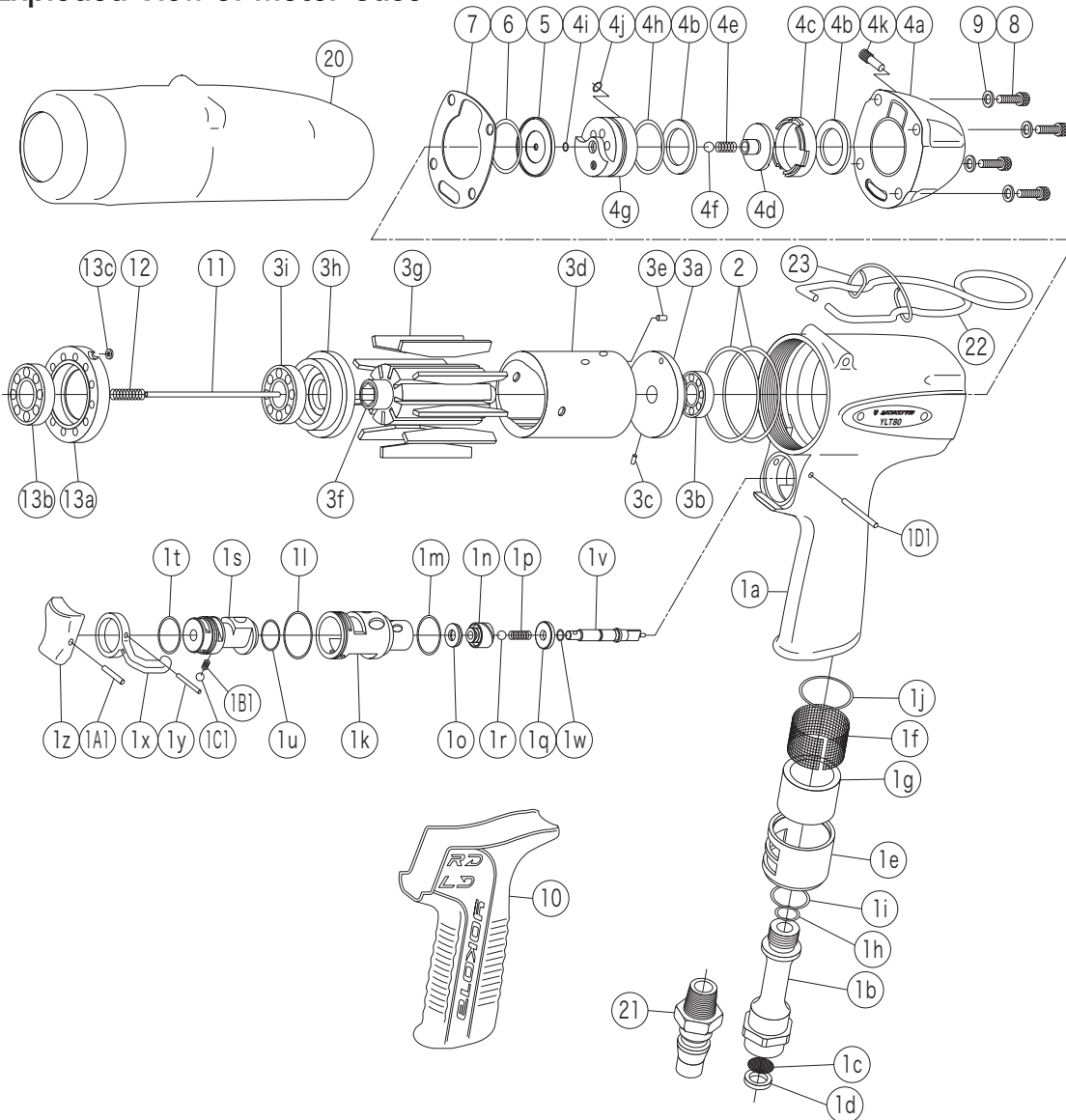


IMPULSE WRENCH

MODEL (YES.No.)	TOOL No.
YLT80 (00)	0373 0000 0000
YLT80E (00)	0373 0000 0009

Exploded View of Motor Case



Parts for Motor Case

No.	Name of Parts	Per Set	Parts No.
1	Motor Case Assy.	1set	0373 0011 00 99
	(a) Motor Case	1	※ ↑
	Hose Joint Assy.	1set	0181 0113 00 99
	(b) Hose Joint	1	※ ↑
	(c) Strainer	1	0259 0111 00 00
	(d) Washer (7.5×11×2)	1	8042 2008 00 00
	(e) Exhaust Cover	1	0334 0016 00 00
	(f) Silencer Sheet(A)	1	0141 0032 00 01
	(g) Silencer Sheet	1	0334 0032 00 00
	(h) O-Ring (S10)	1	9010 4004 00 00
	(i) O-Ring (S16)	1	9010 4009 00 00
	(j) O-Ring (1×20×22)	1	9010 6043 00 00
	2	ThrottleA ssy.	1set
(k) Throttle Bushing		1	0181 0104 00 00
(l) O-Ring (0.7×17.8×19.2)		1	9010 6030 00 00
(m) O-Ring (S16)		1	9010 4009 00 00
Throttle Valve Assy.		1set	0181 0108 01 99
(n) Throttle Valve		1	※ ↑
(o) Rubber Pad		1	2331 0678 00 00
(p) Spring (3.4×9.7)		1	8020 1345 00 00
(q) Throttle Bushing Cap		1	2331 0160 00 00
(r) Ball (3.5mm)		1	9150 2006 00 00
(s) Reverse Valve		1	0371 0005 00 00
(t) O-Ring (0.8×13.5×15.1)		1	9010 6031 00 00
(u) O-Ring (S12.5)		1	9010 4006 00 00
(v) Throttle Rod		1	0371 0106 00 00
(w) O-Ring (0.5×3.7×4.7)		1	9010 6034 00 00
(x) Reverse Lever		1	2331 0007 00 00
(y) Spring Pin (2×12)		1	9250 1015 00 00
(z) Throttle Knob		1	0158 0153 00 00
(A1) Spring Pin (1.5×14)		1	9250 1005 00 00
(B1) Spring (3×4)		1	8020 1246 00 00
(C1) Ball (1/8)		1	9150 3009 00 00
(D1) Pin (2×22)		1	8055 1050 00 00
3		O-Ring (1.6×35.7×38.9)	2
	Motor Assy.	1set	0373 0305 00 99
	Upper Plate Assy.	1set	0373 0303 00 99
	(a) Upper Plate	1	0373 0303 00 00
	(b) Ball Bearing (607MC2)	1	9102 3003 00 00
	(c) Pin (1.5×4)	1	8051 1314 00 00
	Cylinder Assy.	1set	0373 0304 00 99
	(d) Cylinder	1	※ ↑
	(e) Pin (2×5)	1	8055 1040 00 00
	(f) Rotor	1	0373 0305 00 00
	(g) Vane	9	0373 0306 00 00
4	Lower Plate Assy.	1set	0373 0307 00 99
	(h) Lower Plate	1	0373 0307 00 00
	(i) Ball Bearing (6901CM)	1	9102 1003 00 00
	(j) Ball Bearing (6901CM)	1	9102 1003 00 00

No.	Name of Parts	Per Set	Parts No.
4	Motor Case Cover Assy.	1set	0373 0001 00 99
	(a) Motor Case Cover	1	0373 0001 00 00
	(b) Back-up Ring (15×22×1.5)	2	9090 1033 00 00
	(c) Buffer Plate	1	0371 0297 00 00
	(d) Shut Off Valve	1	0371 0295 00 00
	(e) Spring (4.05×7)	1	8020 1371 00 00
	(f) Ball (4mm)	1	9150 1005 00 00
	(g) Shut Off Valve Bushing	1	0371 0296 00 00
	(h) O-Ring (1.5×19×22)	1	9010 6062 00 00
	(i) O-Ring (N2)	1	9010 4001 00 00
	(j) O-Ring (1.5×1.5×4.5)	1	9010 6063 00 00
	(k) Valve Plug (M4×12)	1	0371 0298 00 00
	5	Upper Plate Spacer	1
O-Ring (1.5×19×22)		1	9010 6062 00 00
S-Packing		1	0373 0003 00 00
6	Hexagon Socket Bolt (M4×10)	4	8070 3156 00 00
	Washer (4×6.6×1.2)	4	8041 6016 00 00
7	Rubber Grip	1	0188 0144 00 00
	Rod	1	0373 1368 00 00
8	Spring (4.3×21.5)	1	8020 1374 00 00
	Lower Plate Spacer Assy.	1set	0373 0311 00 99
9	(a) Lower Plate Spacer	1	0373 0311 00 00
	(b) Ball Bearing (6802)	1	9100 1063 00 00
	(c) Washer (WSSB4-2-2)	1	8041 6015 00 00
Standard Accessories			
20	Protector	1	0373 0029 00 00
21	Touch Joint (1/4-02)	1	9690 0002 00 00
22	Hanger	1	0099 0017 00 00
23	Hanger Clip	1	0190 1801 00 00
	Hex. Wrench (H1.5×65×65)	1	9610 1012 00 00
	Hex. Wrench (H5/32)	1	9610 3008 00 00



YOKOTA EUROPA BV

De Ruijterkade 120, 1011 AB Amsterdam, Netherlands. PHONE 020-5318800 FAX 020-5318808
 e-mail info@impulsetools.com http://www.impulsetools.com
 Hydraulic Impulse Wrenches, Impact Wrenches, Drills, Grinders, Screw Drivers, Chippers, Sealers, Pumps.

The part "※" can not be supplied individually.
 So please order it as a unit of assembly shown by arrow mark (↑).