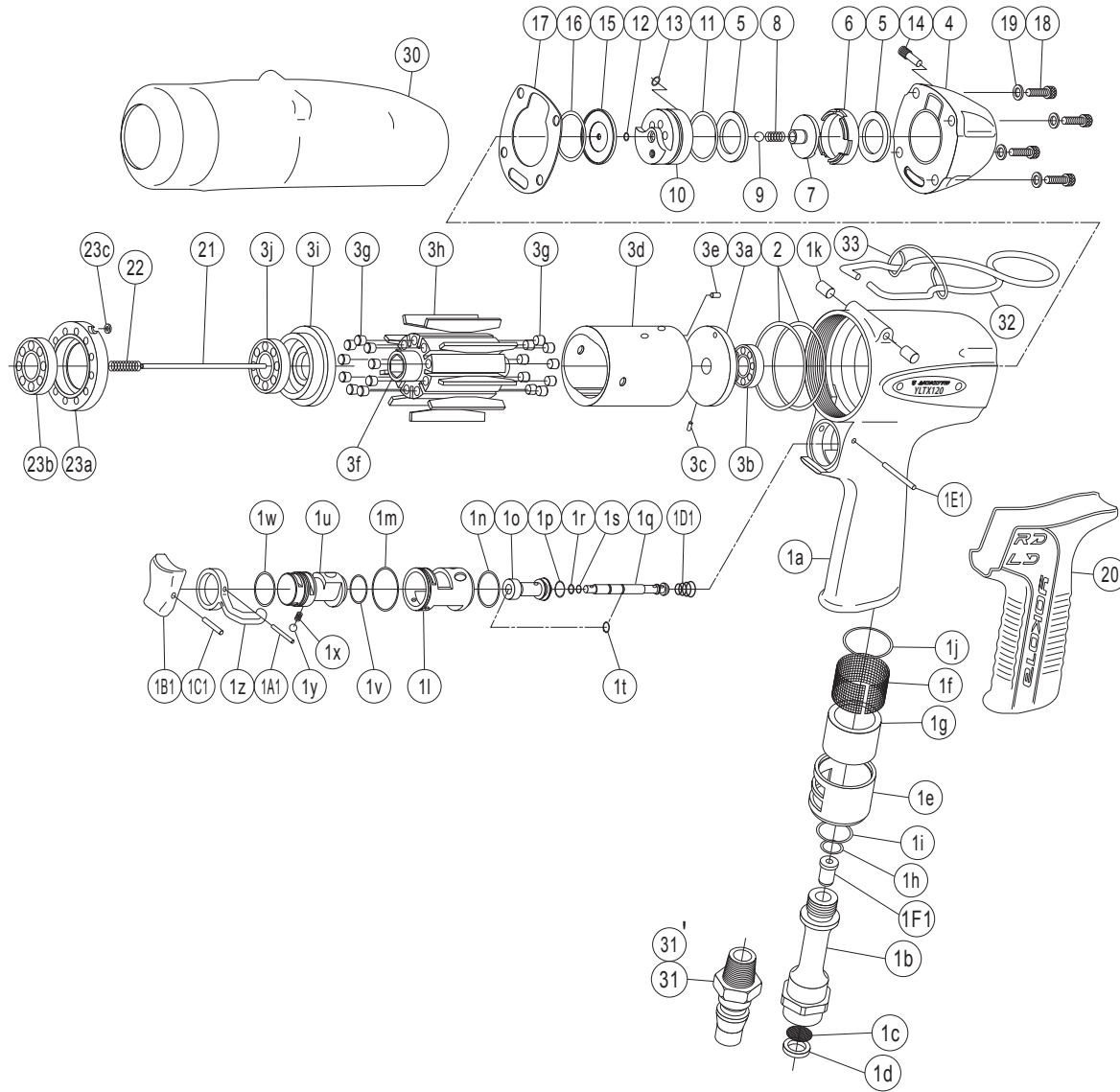


# SHUT-OFF IMPULSE WRENCH

MODELS (YES.No.)	TOOL No.
YLTX120 (00)	0396 0000 0000
YLTX120E (00)	0396 0000 0009

## Exploded View of Motor Case



## Parts for Motor Case

No.	Name of Parts	Per Set	Parts No.	No.	Name of Parts	Per Set	Parts No.
1	Motor Case Assy.	1set	0396 0011 00 99	4	Motor Case Cover	1	0380 0001 00 00
	(a) Motor Case	1	※ ↑	5	Back-up Ring (19×26×1.5)	2	9090 1035 00 00
	Hose Joint Assy.	1set	0345 0113 00 99	6	Buffer Plate	1	0380 0297 00 00
	(b) Hose Joint	1	※ ↑	7	Shut Off Valve	1	0379 0295 00 00
	(c) Strainer	1	0259 0111 00 00	8	Spring (3.95×8.6)	1	8020 1387 00 00
	(d) Washer (7.5×11×2)	1	8042 2008 00 00	9	Ball (4mm)	1	9150 1005 00 00
	(e) Exhaust Cover	1	0380 0016 01 00	10	Shut Off Valve Bushing	1	0379 0296 02 00
	(f) Silencer Sheet (A)	1	0412 0032 00 01	11	O-Ring (S22)	1	9010 4011 00 00
	(g) Silencer Sheet	1	0335 0032 00 00	12	O-Ring (N2)	1	9010 4001 00 00
	(h) O-Ring (S12)	1	9010 4005 00 00	13	O-Ring (1.4×2.16×4.96)	1	9010 6068 00 00
	(i) O-Ring (S16)	1	9010 4009 00 00	14	Valve Plug	1	0379 0298 00 00
	(j) O-Ring (S24)	1	9010 4012 00 00	15	Upper Plate Spacer	1	0379 0301 00 00
	(k) Spring Pin (5×8)	2	9250 2027 00 00	16	O-Ring (S22)	1	9010 4011 00 00
	Throttle Assy.	1set	0380 0186 00 99	17	S-Packing	1	0380 0003 00 00
	(l) Throttle Bushing	1	0341 0104 00 00	18	Hexagon Socket Bolt (M4×10)	4	8070 3159 00 00
	(m) O-Ring (0.7×21.5×22.9)	1	9010 6045 00 00	19	Washer (4×6.6×1.2)	4	8041 6016 00 00
	(n) O-Ring (S20)	1	9010 4010 00 00	20	Rubber Grip	1	0188 0144 00 00
	Throttle Rod Bushing Assy.	1set	0341 0105 00 99	21	Rod	1	0380 1368 02 00
	(o) Throttle Rod Bushing	1	※ ↑	22	Spring (5.9×23)	1	8020 1432 00 00
	(p) O-Ring (P10)	1	9010 1054 00 00	23	Lower Plate Spacer Assy.	1set	0380 0311 00 99
	Throttle Rod Assy.	1set	0341 0106 02 99		(a) Lower Plate Spacer	1	0380 0311 00 00
	(q) Throttle Rod	1	0341 0106 02 00		(b) Ball Bearing (6802)	1	9100 1063 00 00
	(r) O-Ring (0.5×3.7×4.7)	1	9010 6034 00 00		(c) Washer (WSSB4-2-2)	1	8041 6015 00 00
	(s) O-Ring (P4)	1	9010 1056 00 00	Standard Accessories			
	(t) Snap Ring (ETW-2.8)	1	9040 5008 00 00	30	Protector	1	0380 0029 00 00
	(u) Reverse Valve	1	0380 0005 00 00	31*	Touch Joint (20-PM)	1	9690 0002 00 00
	(v) O-Ring (0.6×18×19.2)	1	9010 6046 00 00	31'*	Hose Nipple Assy. (XA-352)	1set	8110 1004 00 99
	(w) O-Ring (S16)	1	9010 4009 00 00	32	Hanger	1	0099 0017 00 00
	(x) Spring (3×4)	1	8020 1246 00 00	33	Hanger Clip	1	0190 1801 00 00
	(y) Ball (1/8)	1	9150 3009 00 00		Hex. Wrench (H1.5×65×65)	1	9610 1012 00 00
	(z) Reverse Lever	1	0341 0007 00 00		Hex. Wrench (H5/32)	1	9610 3008 00 00
	(A1) Spring Pin (2×12)	1	9250 1015 00 00				
	(B1) Throttle Knob	1	0158 0153 00 00				
	(C1) Spring Pin (1.5×14)	1	9250 1005 00 00				
	(D1) Conical Spring (5.24×7.6×7)	1	8020 3070 00 00				
	(E1) Pin (2×25)	1	8055 1051 00 00				
	(F1) Bushing	1	0396 0728 00 00				
2	O-Ring (S46)	2	9010 4032 00 00				
3	Motor Assy.	1set	0380 0305 00 99				
	Upper Plate Assy.	1set	0380 0303 00 99				
	(a) Upper Plate	1	0380 0303 00 00				
	(b) Ball Bearing (6900CM)	1	9102 1001 00 00				
	(c) Pin (2×5)	1	8055 1040 00 00				
	Cylinder Assy.	1set	0380 0304 00 99				
	(d) Cylinder	1	※ ↑				
	(e) Pin (2.5×6)	1	8055 1053 00 00				
	(f) Rotor	1	0380 0305 00 00				
	(g) blind Cap	18	0380 0018 00 00				
	(h) Vane	9	0380 0306 01 00				
	Lower Plate Assy.	1set	0380 0307 00 99				
	(i) Lower Plate	1	0380 0307 00 00				
	(j) Ball Bearing (6902CM)	1	9102 1004 00 00				

The part "※" can not be supplied individually. So please order it as a unit of assembly shown by arrow mark (↑).  
 ☆marked parts; use one of them.

