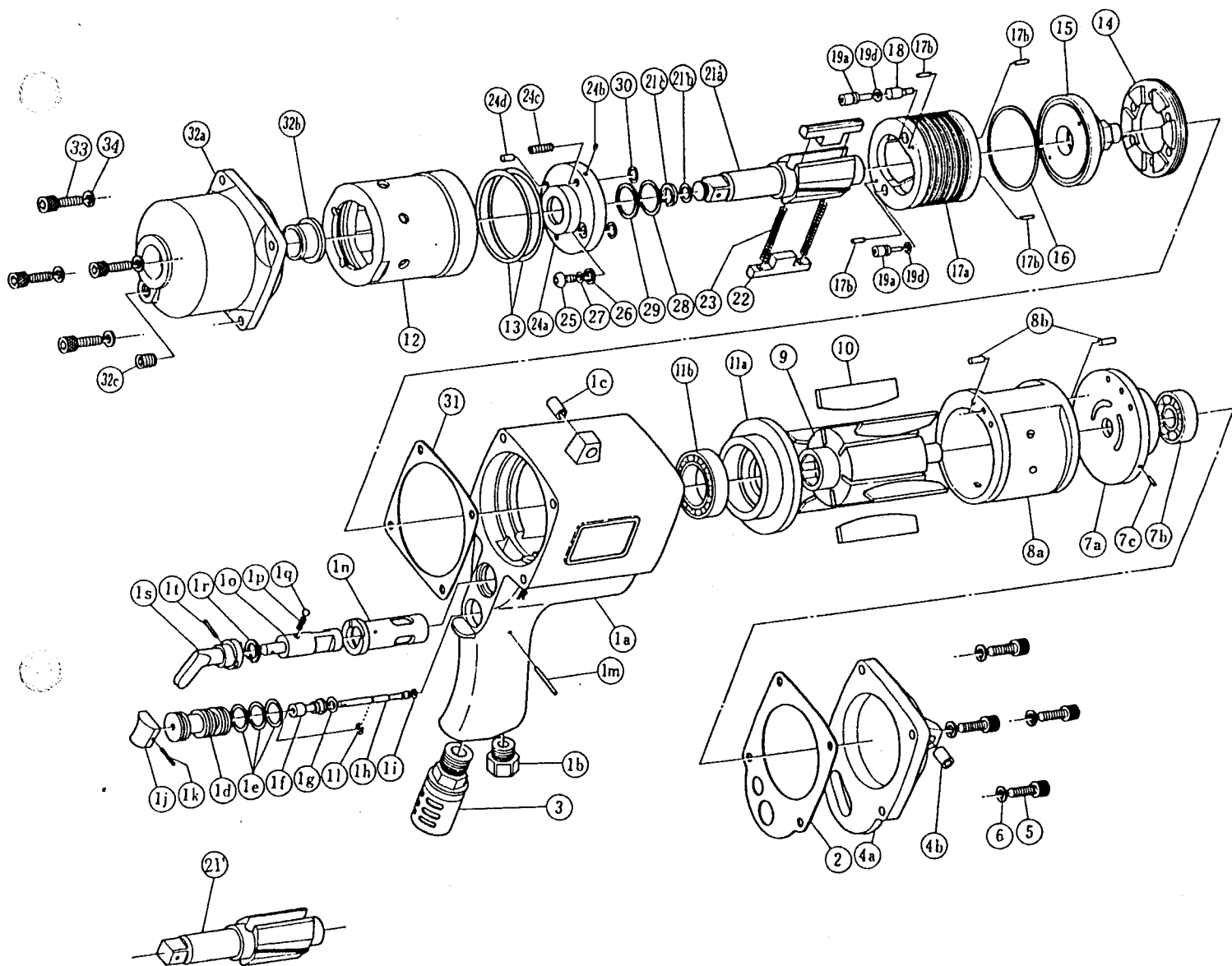


YOKOTA

TWIN 2 BLADE IMPULSE WRENCHES

MODELS (YES. NO.)	TOOL NO.
YX-2400(00)	0406 0000 00 04

EXPLODED VIEW



YOKOTA EUROPA BV

DE RUYTERKADE 142, AMSTERDAM PHONE (020) 25 29 53 TELEXNR ; 14022

PARTS LIST

2 set

No.	Name of Parts	Per Set	Parts No.	No.	Name of Parts	Per Set	Parts No.
1	Motor Case Assy.	1set	0406 0011 00 99	14	Liner Cap	1	0406 0423 00 00
	(a)Motor Case	1	0406 0011 00 00	15	Liner Upper Plate	1	0406 0424 00 00
	(b)Hose Joint	1	2015 0113 00 00	16	"O"Ring(N48)	1	9010 4035 00 00
	(c)Spring Roll Pin(8×12)	1	9250 1110 00 00	17	Liner Assy.	1set	0320 0425 00 99
	Throttle Bushing Assy.	1set	0229 0104 00 99		(a)Liner	1	※ ↑
	(d)Throttle Bushing	1	※ ↑		(b)Pin(3.5×7)	4	8052 1034 00 00
	(e)"O"Ring(N15)	3	9010 4008 00 00	18	Relief Valve	1	0320 0245 00 00
	Throttle Rod Bushing Assy.	1set	0229 0105 00 99	19	Spring Guide(B) Assy.	1set	0320 0510 00 99
	(f)Throttle Rod Bushing	1	※ ↑		(a)Spring Guide(B)	1	※ ↑
	(g)"O"Ring(No.5)	1	9010 3004 00 00		(b)"O"Ring(N3)	1	9010 1001 00 00
	Throttle Rod Assy.	1set	0229 0106 00 99	20	Not Used		
	(h)Throttle Rod	1	※ ↑	21 ^b	Main Shaft Assy.	1set	0320 0614 00 99
	(i)"O"Ring(N2)	1	9010 4001 00 00		(a)Main Shaft	1	※ ↑
	(j)Throttle Knob	1	2024 0153 00 00		(b)"O"Ring(No.6)	1	9010 3005 00 00
	(k)Spring Roll Pin(1.5×14)	1	9250 1005 00 00		(c)Stopper Ring(1/2sq)	1	0208 0416 00 00
	(l)Snap Ring(ETW-2.8)	1	9040 5008 00 00	22	Blade	2	0320 0719 00 00
	(m)Pin G(3×24)	1	8410 6024 00 00	23	Spring(4.6×41)	2	8020 1215 00 00
	(n)Reverse Bushing	1	0235 0004 00 00	24	Liner Lower Plate(A) Assy.	1set	0406 0426 00 98
	(o)Reverse Valve	1	0235 0005 00 00		(a)Liner Lower Plate	1	※ ↑
	(p)Spring(4×6)	1	8020 1022 00 00		(b)Rubber Plate	1	0048 0047 00 00
	(q)Ball(M4)	1	9150 1005 00 00		(c)Screw(M5×16)	1	9480 2025 00 00
	(r)Snap Ring(IRTW-14)	1	9040 3004 00 00		(d)Spring Roll Pin(4×6)	1	9250 2002 00 00
	(s)Reverse Lever	1	0048 0007 01 00	25	Hex. Socket Button Bolt(M5×8)	1	8071 1011 00 00
	(t)Spring Roll Pin(3×14)	1	9250 1049 00 00	26	Washer(7.5×9.5×1.2)	1	8040 1127 00 00
2	S-Packing(A)	1	0406 0003 00 01	27	"O"Ring(N5)	1	9010 4033 00 00
3	Silencer Assy.	1set	0405 0053 01 99	28	"O"Ring(2.55×17.8×22.9)	1	9010 6017 00 00
4	Motor Case Cover Assy.	1set	0406 0001 00 99	29	Backup Ring	1	9090 1006 00 00
	(a)Motor Case Cover	1	※ ↑	30	"O"Ring(N7)	2	9010 4002 00 00
	(b)Spring Roll Pin(8×12)	1	9250 1110 00 00	31	S-Packing(B)	1	0406 0003 00 02
5	Hex. Socket Bolt(M6×20)	4	8070 3034 00 00	32	Hammer Case Assy.	1set	0406 0401 01 99
6	Spring Washer(M6)	4	9200 3006 00 00		(a)Hammer Case	1	0406 0401 01 00
7	Upper Plate Assy.	1set	0406 0303 00 99		(b)Main Shaft Bushing	1	0229 0612 00 00
	(a)Upper Plate	1	0406 0303 00 00		(c)Socket Plug(PT 1/8)	1	8210 2001 00 00
	(b)Ball Bearing(#6201)	1	9100 1021 00 00	33	Hex. Socket Bolt(M6×20)	4	8070 3034 00 00
	(c)Spring Roll Pin(2.5×6)	1	9250 1030 00 00	34	Spring Washer(M6)	4	9200 3006 00 00
8	Cylinder Assy.	1set	0406 0304 00 99	Optional Parts			
	(a)Cylinder	1	※ ↑	21 ^a	Main Shaft(1/2sq)	1	0320 0614 00 01
	(b)Spring Roll Pin(4×10)	2	9250 1066 00 00	21 ^b	Main Shaft(P) Assy.	1set	0320 0614 01 99
9	Rotor	1	0406 0305 00 00				
10	Vane	6	0406 0306 00 00				
11	Lower Plate Assy.	1set	0406 0307 00 99				
	(a)Lower Plate	1	0406 0307 00 00				
	(b)Ball Bearing(#6905)	1	9100 1047 00 00				
12	Liner Case	1	0406 0422 00 00				
13	"O"Ring(N55)	2	9010 4036 00 00				

The part marked "※" can not be supplied individually. So please order it as a unit of assembly shown by arrow mark (↑).